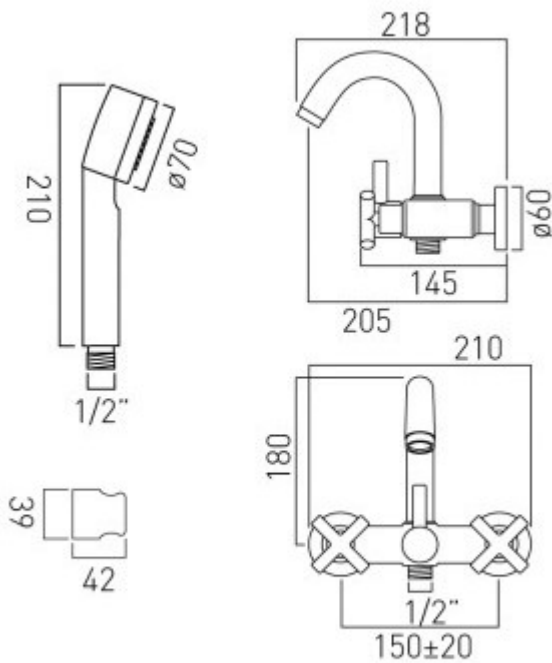




technical drawing



description:

bath shower mixer
wall mounted
with fixed spout
with shower kit
with water flow straightener
with water flow aerator
ceramic cartridge ELE-VALVE/CD-1/2 (HT & CL)
1/2" x 3/4" x 50mm eccentrics

finishes:

chrome

minimum operating pressure: 0.5 bar LP

Eco flow regulator: FR-SHOWER/9-C/P

guarantee:

12 year guarantee

VADO wedmore road cheddar somerset england bs27 3eb

tel 01934 744466 fax 01934 744345 sales@vado-uk.com www.vado-uk.com