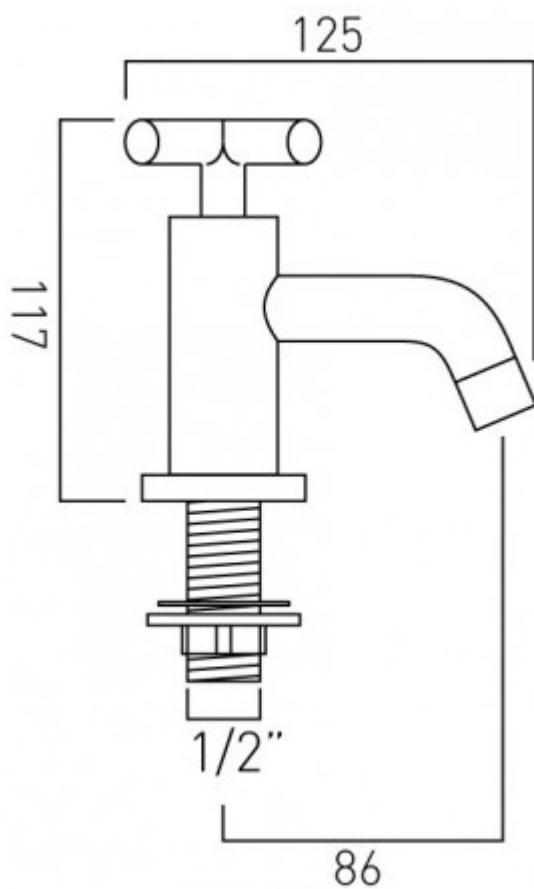




technical drawing



description:

pair of basin pillar taps
deck mounted
without pop-up waste
with water flow aerator
ceramic cartridge ELW-106/VALVE/CL-1/2
and ELW-106/VALVE/HT-1/2
1/2" x 50mm threaded connections
deck mount drill hole diameter 22mm

finishes:

chrome

minimum operating pressure: 0.2 bar LP

Eco flow regulator: FR-106/4-PLA

guarantee:

12 year guarantee

VADO wedmore road cheddar somerset england bs27 3eb

tel 01934 744466 fax 01934 744345 sales@vado-uk.com www.vado-uk.com