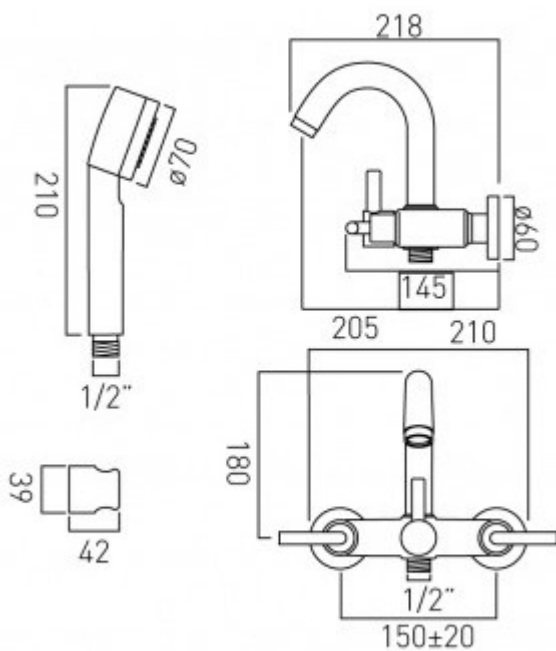




technical drawing



**description:**

bath shower mixer  
wall mounted  
with fixed spout  
with shower kit  
with water flow straightener  
with water flow aerator  
ceramic cartridge ELE-VALVE/CD-1/2 (HT & CL)  
1/2" x 3/4" x 50mm eccentrics

**finishes:**

chrome

**minimum operating pressure:** 0.5 bar LP

**Eco flow regulator:** FR-SHOWER/9-C/P

**guarantee:**

12 year guarantee

VADO wedmore road cheddar somerset england bs27 3eb

tel 01934 744466 fax 01934 744345 sales@vado-uk.com www.vado-uk.com