



Concept Freedom Wall Hung Raised Height WC Pan

Illustrated

- E6090** Concept Freedom wall hung raised height WC pan
- S3643** Conceala 2 cistern 4.5/3 or 4/2.6 litre dual flush valve side supply and internal overflow, alternative height plastic flushbends, no flushplate
- E7917** Concept, seat and cover, slow close
- E0060** Support frame with bolts for wall hung WC pans

Configuration options

- S3617** Conceala 2 cistern 4.5 or 6 litre single flush syphon side supply and internal overflow plastic flushbend, long CP lever
- E7918** Concept, seat and cover
- K7060** Concept Seat Without Cover

Material

Vitreous China

Standards

Vitreous china to BS 3402, BS EN 997 and BS EN 33

Weights

- E6090 34.30KG
- S3643 2.60KG
- E7917 2.30KG
- E0060 4.28KG

Special Notes

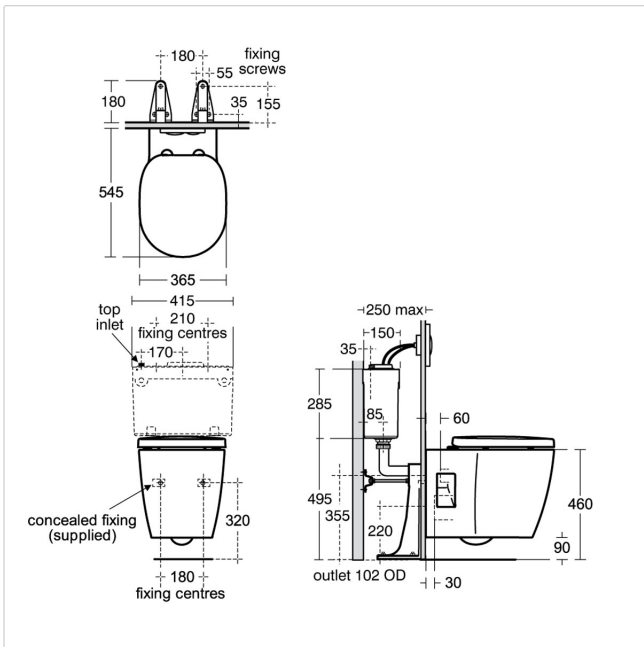
E0060 support brackets secured to floor within the duct, WC fixed to support bracket with bolts supplied and bolts screwed to back wall with brackets. Joint sealed with waterproof sealant (not supplied).

Colours

White (01)

Designer

Robin Levien, RDI



Frequently used applications

- Hospitals
- Hotels
- Office
- Public Building
- Residential



Tel: 0870 122 8822
 Fax: 0870 122 8282
 Email: info@idealspec.co.uk
 Web: www.idealspec.co.uk

