



## Concept Freedom Back-to-wall Raised Height WC Pan

### Illustrated

- E6088** Concept Freedom back-to-wall raised height WC pan
- S3643** Conceala 2 cistern 4.5/3 or 4/2.6 litre dual flush valve side supply and internal overflow, alternative height plastic flushbends, no flushplate
- E7917** Concept, seat and cover, slow close

### Configuration options

- E7918** Concept, seat and cover
- K7060** Concept Seat Without Cover

### Material

Vitreous China

### Weights

- E6088** 32.70KG
- S3643** 2.60KG
- E7917** 2.30KG

### Colours

White (01)

### Standards

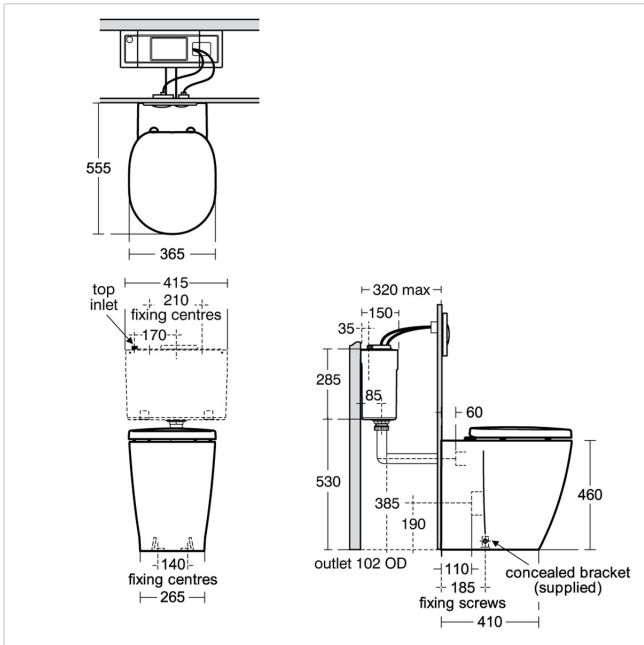
Vitreous china to BS 3402, BS EN 997 and BS EN 33

### Special Notes

WC screwed to floor using concealed brackets (supplied). Joint to wall sealed with waterproof sealant (not supplied).

### Designer

Robin Levien, RDI



### Frequently used applications

- |             |                 |
|-------------|-----------------|
| Hospitals   | Hotels          |
| Office      | Public Building |
| Residential |                 |



Tel: 0870 122 8822  
 Fax: 0870 122 8282  
 Email: [info@idealspec.co.uk](mailto:info@idealspec.co.uk)  
 Web: [www.idealspec.co.uk](http://www.idealspec.co.uk)

Ideal Standard (UK) Ltd. makes every effort to ensure that the information provided on its website is accurate. However, we cannot guarantee this, and accept no liability for any information or advice given via its website.



Date created: 27/02/2015