



Concept Freedom Close Coupled Raised Height WC Pan

Illustrated

- E6086** Concept Freedom close coupled raised height WC pan
- E7969** Concept Cube close coupled delay fill, valve cistern 4/2.6 litre dual flush push button bottom supply and internal overflow
- E7917** Concept, seat and cover, slow close

Configuration options

- E7918** Concept, seat and cover
- K7060** Concept Seat Without Cover

Material

Vitreous China

Standards

Vitreous china to BS 3402, BS EN 997 and BS EN 33

Weights

- E6086 33.00KG
- E7969 11.90KG
- E7917 2.30KG

Special Notes

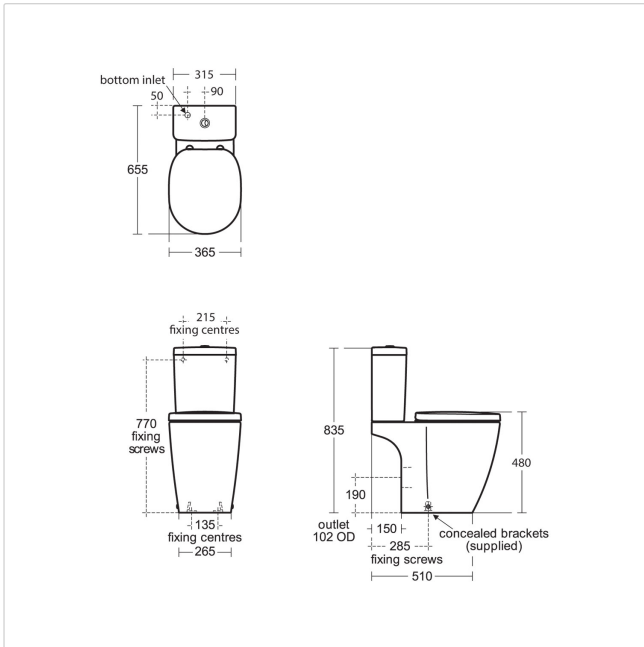
WC screwed to floor using concealed brackets (supplied) and cistern screwed to wall

Colours

White (01)

Designer

Robin Levien, RDI



Frequently used applications

- Hospitals
- Office
- Residential
- Hotels
- Public Building



Tel: 0870 122 8822
Fax: 0870 122 8282
Email: info@idealspec.co.uk
Web: www.idealspec.co.uk

