

## Concept Cube 50cm Countertop Washbasin 1 Taphole

### Illustrated

- E5013** Concept Cube 50cm Countertop washbasin one taphole and overflow  
**B9915** Concept Blue washbasin mixer 1 hole with pop-up waste  
**S8910** Trap 1¼" plastic bottle, 75mm seal, multi-purpose outlet

### Configuration options

### Material

Vitreous China

### Weights

E5013 10.25KG  
 B9915 1.89KG  
 S8910 0.20KG

### Colours

White (01)

### Standards

Vitreous china to BS 3402.  
 Washbasin to BS EN 14688 & BS EN 31

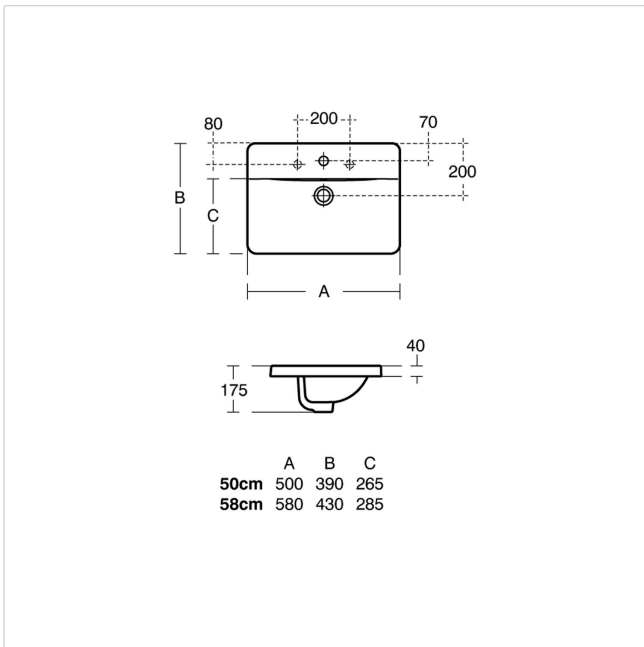
### Special Notes

Self-rimming for drop-in installation as per template supplied and joint sealed with waterproof sealant (not supplied)

Consideration should be given to safe hot water delivery and the use of an appropriate temperature reduction device see A5900AA

### Designer

Robin Levien, RDI



### Frequently used applications

Education	Hotels
Office	Public Building
Pubs and Clubs	Retail
Sports and Leisure	



Tel: 0870 122 8822  
 Fax: 0870 122 8282  
 Email: [info@idealspec.co.uk](mailto:info@idealspec.co.uk)  
 Web: [www.idealspec.co.uk](http://www.idealspec.co.uk)

Ideal Standard (UK) Ltd. makes every effort to ensure that the information provided on its website is accurate. However, we cannot guarantee this, and accept no liability for any information or advice given via its website.



Date created:03/03/2015