

D886 Straight Body & T90 TRV Head

Materials

NO.	PART	MATERIAL
1	Body	Brass (Chrome Plated) BS EN 12164 CW617N
2	Valve Insert Assembly	EPDM Valve Disc
3	T90 STD Thermostatic Head	Thermoplastic ABS
4	Tailpiece Ring	Brass BS EN 12164 CW617N
5	Tailpiece	Brass BS EN 12164 CW617N
6	Compression Olive	Brass BS EN 12164 CW602N
7	Compression Adaptor	Brass BS EN 12164 CW614N
8	Hydraulic Seals	Rubber EPDM

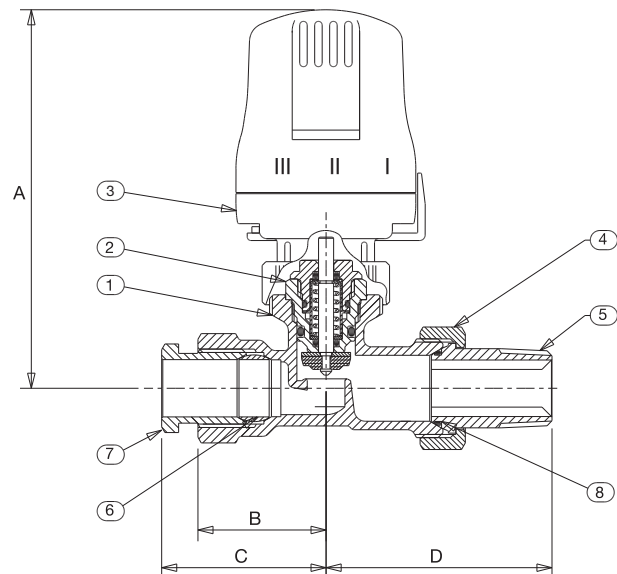


D886 + T90

Dimensions & Weights

SIZE (mm)	WEIGHT (g)	A (mm)	B (mm)	C (mm)	D (mm)
15	391	100	34	44	60
22	580	100	40	51	65

Dimensional Drawing



Every effort has been made to ensure that the information contained in this publication is accurate at the time of publishing. Crane Ltd assumes no responsibility or liability for typographical errors or omissions or for any misinterpretation of the information within the publication and reserves the right to change without notice.