

D297

Strainer - PN32



Features & Benefits

- Eliminate the problems caused by foreign matter within piping systems
- Perforated stainless steel screen with robust design, low flow resistance and high quality materials
- WRAS approved for use on hot and cold water systems up to 85°C
- 0.75mm screen perforations

Materials

| PART | MATERIAL | SPECIFICATION |
|---------------|--------------------|-------------------|
| Body | Bronze | BS EN 1982 CC491K |
| Cap | Bronze | BS EN 1982 CC491K |
| Strainer Mesh | Stainless Steel | Type 304 |
| Gasket | Klingsil | C4430 |
| ID Plate | Anodised Aluminium | |

Dimensions & Weights

| SIZE (inch) | A (mm) | B (mm) | C (mm) | D (mm) | E (mm) | F (mm) | G (mm) | H (mm) | WEIGHT (kg) |
|-------------|--------|--------|--------|--------|--------|--------|--------|--------|-------------|
| 1/2 | 71 | 29 | 42 | 49 | 63 | 27 | 35 | 144 | 0.27 |
| 3/4 | 86 | 35 | 51 | 60 | 77 | 33 | 44 | 176 | 0.44 |
| 1 | 101 | 45 | 55 | 67 | 90 | 42 | 54 | 202 | 0.78 |
| 1 1/4 | 134 | 54 | 80 | 93 | 120 | 50 | 63 | 294 | 1.30 |
| 1 1/2 | 148 | 63 | 87 | 103 | 134 | 58 | 73 | 322 | 1.81 |
| 2 | 176 | 77 | 98 | 119 | 157 | 71 | 93 | 367 | 3.10 |

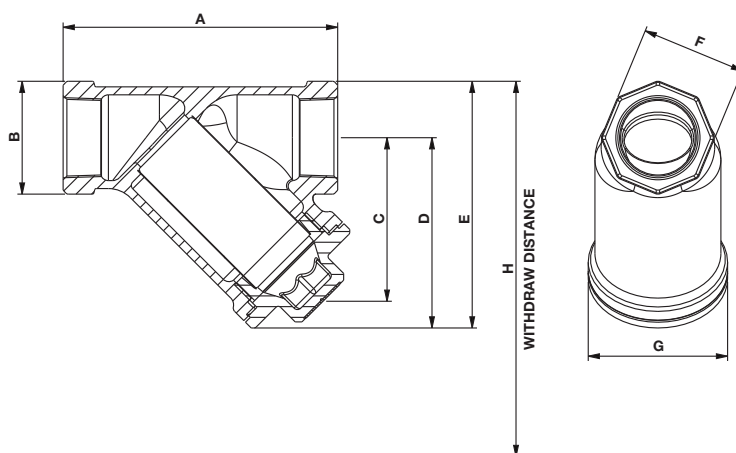
Pressure/Temperature Ratings

| | | | | | |
|------------------|------------|------|------|------|-----|
| TEMPERATURE (°C) | -10 to 100 | 130 | 150 | 180 | 200 |
| PRESSURE (BAR) | 32 | 26.5 | 22.8 | 17.4 | 14 |

Intermediate pressure ratings shall be determined by interpolation.



Dimensional Drawings



PRESSURE RATING: PN32 • **TEMPERATURE OPERATING RANGE:** -10 to 200°C

UK END CONNECTION: Taper threaded to BS EN 10226-2 • **US END CONNECTION:** ANSI B1.20.1

SPECIFICATION: Strainers fitted with stainless steel perforated strainer element with 0.75mm diameter holes. Screens fitted into Crane Strainers conform to the high standards of materials and workmanship associated with all Crane products. This strainer is not suitable for use on group 1 gases, group 2 gases or unstable fluids, as defined by the Pressure Equipment Directive 97/23/EC.



CRANE HOUSE
EPSILON TERRACE,
WEST ROAD, IPSWICH
SUFFOLK IP3 9FJ

TELEPHONE: +44 (0)1473 277300
FAX: +44 (0)1473 277301
EMAIL: enquiries@cranefs.com
www.cranefs.com

Every effort has been made to ensure that the information contained in this publication is accurate at the time of publishing. Crane Ltd assumes no responsibility or liability for typographical errors or omissions or for any misinterpretation of the information within the publication and reserves the right to change without notice.

CFS_D297_09_2013



www.cranebusu.com