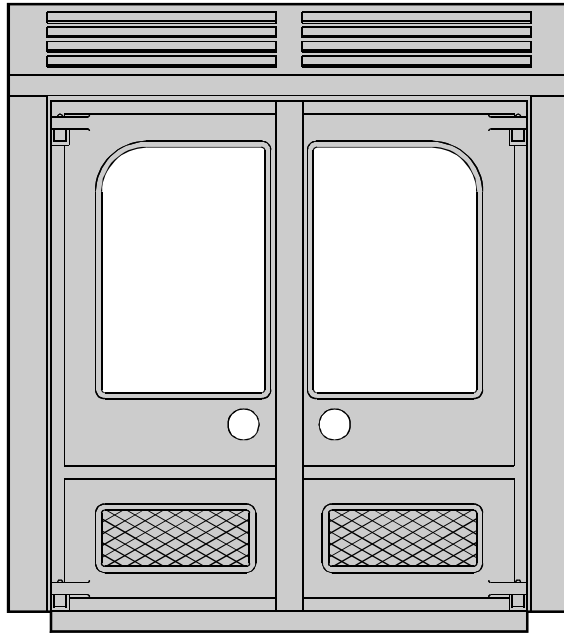


**CHARNWOOD  
LA45iB & LA50iB  
Roomheater With Boiler**



**Operating  
and  
Installation Instructions**



**A. J. WELLS & SONS**

Bishops Way, Newport, Isle of Wight, PO30 5WS, U.K.

Tel: +44(0)1983 527552 Fax: +44(0)1983 821267

E-Mail: [charnwood@ajwells.co.uk](mailto:charnwood@ajwells.co.uk) Internet: [www.charnwood.com](http://www.charnwood.com)



# CHARNWOOD LA45iB & LA50iB

## Operating and Installation Instructions

### Contents

#### Operating Instructions

General Points .....	3
Fuels .....	3
Door Operation .....	3
Lighting .....	3
Controlling The Fire .....	3
Running The Fire With The Doors Open .....	3
System Controls .....	4
Ash Clearance .....	4
Riddling .....	4
Refuelling .....	4
Overnight Burning .....	4
Throat Plate And Flueway Cleaning .....	5
Maintenance .....	5
Chimney Sweeping .....	5
Boiler Reduction Brick .....	6
Trouble Shooting .....	6

#### Installation Instructions

Health & Safety Precautions .....	7
Performance .....	7
Chimney .....	7
Hearth .....	7
Preparation Of Fireplace .....	8
Central Heating System .....	8
System Controls .....	8
Fitting The Fire .....	8
Flue Connection And Infilling .....	8
Thermostat .....	9
Assembly .....	10
Pre-Lighting Check .....	10
Commissioning .....	10
Freestanding Kit .....	10
Overall Dimensions .....	11
Exploded Parts Drawing .....	12



**A. J. WELLS & SONS**

Bishops Way, Newport, Isle of Wight, PO30 5WS, U.K.

Tel: +44(0)1983 527552 Fax: +44(0)1983 821267

E-Mail: [charnwood@ajwells.co.uk](mailto:charnwood@ajwells.co.uk) Internet: [www.charnwood.com](http://www.charnwood.com)



# OPERATING INSTRUCTIONS FOR THE CHARNWOOD LA45iB & LA50iB

## GENERAL POINTS

Before lighting the fire check with the installer that the work and checks described in the installation instructions have been carried out correctly and that the chimney has been swept, is sound, and free from any obstructions.

**WARNING** There must not be an extractor fan fitted in the same room as this appliance as this can cause the appliance to emit smoke and fumes into the room.

If the appliance is fitted in place of an open fire then the chimney should be swept one month after installation to clear any soot falls which may have occurred due to the difference in combustion between the appliance and the open fire.

When using the fire in situations where children or infirm people are present please use a fire guard to prevent accidents. The fire guard should be manufactured in accordance with BS 6539.

This appliance has been designed to conform with BS.3378. It has obtained the approval of HETAS Ltd. (formerly DSFAAS Ltd.) for burning the following Smokeless Fuels.

## FUELS

HETAS Ltd. approval covers the burning of the following smokeless fuels on this appliance:

Ancit (Phurnacite Plus),  
Anthracite Large Nuts,  
Centurion,  
Cosycoke,  
Extracite,  
Maxibrite,  
Phurnacite,  
Sunbrite Doubles,  
Welsh Dry Steam Coal (Large Nuts).

HETAS Ltd. approval does not cover the use of other fuels either alone or mixed with the above fuels, nor does it cover instructions for the use of other fuels.

The above fuels are all suitable for use in smoke control areas. In non-smoke control areas your Housing Authority

will be able to advise you if other fuels may be burnt. For instructions on burning other fuels please ask your supplier or Housing Authority for the "Charnwood Instruction Supplement"?

## PETROLEUM COKE IS NOT SUITABLE FOR USE ON THIS APPLIANCE, ITS USE WILL INVALIDATE THE GUARANTEE

At first you may find it helpful to try several fuels to find the most suitable. If you are unable to obtain the fuel you want, ask your supplier or an approved fuel distributor to suggest an alternative.

## DOOR OPERATION

Use the spanner type tool to open and close the doors. Turn the knob on the right hand door anti-clockwise to open and clockwise to close. When closing the doors do not push on the enamel with the tool as this can chip the enamel, instead push the doors on the door knobs.

## LIGHTING

Place some paper and dry kindling wood or fire lighters on the grate and cover with a small amount of fuel. Turn the thermostat control knob to the maximum setting and light the paper or fire lighters. Close the doors and allow the fire to burn until the fuel is well ignited then load with more fuel and adjust the thermostat to the required level.

On initial lighting, the fire may smoke and give off an odour as the silicon paint with which the firebox is painted reacts to the heat. This is normal and will cease after a short time. In the meantime the room should be kept well ventilated.

Before relighting the fire, riddle, remove any clinker from the firebed and empty the ashpan.

## CONTROLLING THE FIRE

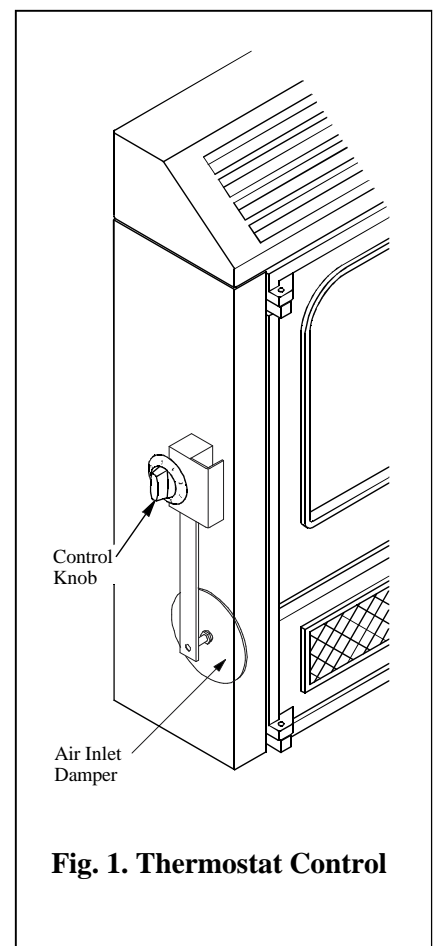
The rate of burning and hence the

output is controlled by the control knob on the left hand side of the appliance, shown in Fig. 1. This is linked to a thermostat which controls the boiler temperature. The number at the top of the knob is the number at which it is set. Some experimentation may be necessary to obtain the desired heat output.

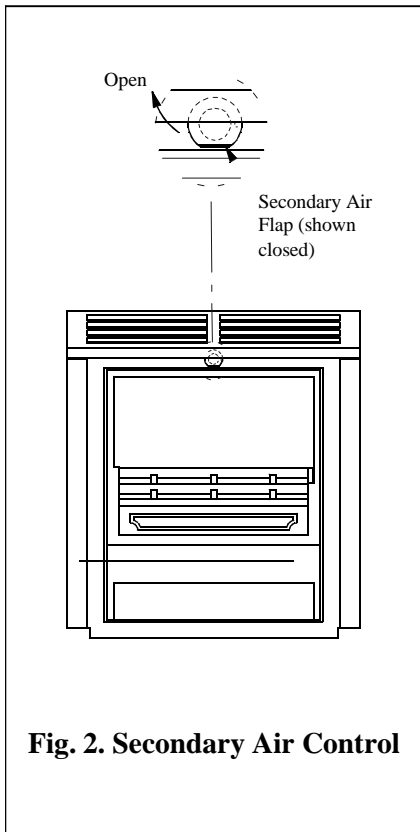
There is also a manual secondary air control which is located above the door opening as shown in Fig. 2. To adjust the setting, open the doors and use the door opening tool to move the flap to the desired position. This control should be in the closed position when burning any of the recommended smokeless fuels except for anthracite and homefire which should be burnt with the secondary air inlet open.

## RUNNING THE FIRE WITH THE DOORS OPEN

The fire may be run with the doors



**Fig. 1. Thermostat Control**



**Fig. 2. Secondary Air Control**

open. This will result in a reduction in efficiency and hence heat output, particularly to the boiler. The more reactive fuels, like Homefire, will burn better when the doors are open than fuels like Phurnacite, Sunbrite and Ancit.

For safety reasons, if the fire is to be left unattended with the doors open then use a spark guard which complies with BS 3248.

**SYSTEM CONTROLS**

The heating system controls may consist of time switches, room thermostats, outdoor temperature thermostats and thermostatic radiator valves in virtually any combination. These will work in conjunction with the thermostat control on the appliance. The thermostat on the appliance will simply control the temperature of the water coming from the boiler and hence the temperature of the radiators and domestic hot water. The automatic controls (other than thermostatic radiator valves) will switch the pump (and hence the radiators) on and off. Your installer will be able to explain the controls fitted to your system and how to operate them.

**ASH CLEARANCE**

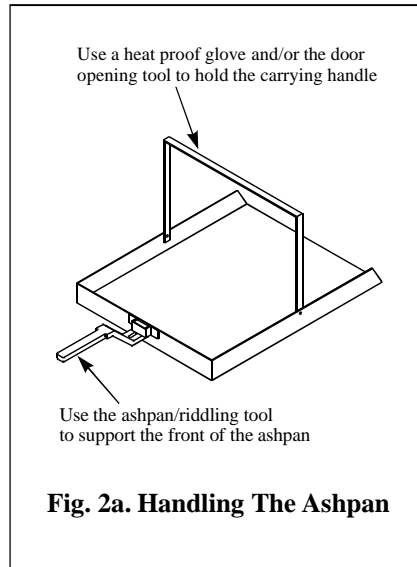
The ashpan should be emptied

regularly before it becomes too full. The most convenient time to remove the ash is just before riddling the fire since the ash will then be at its coolest. Use the ashpan/riddling tool provided to remove the ashpan, the fold up carrying handle may be held with a heat proof glove and/or the door opening tool as shown in Fig.2a

Never allow the ash to accumulate in the ashpan so that it comes in contact with the underside of the grate as this will seriously damage the grate bars. Ensure that the air inlet damper is not prevented from closing by spilled fuel or ash.

Care should be taken to ensure that ash is cool before emptying it into plastic liners or bins.

To make ash removal easier there is a special **Charnwood ash carrier** available. This may be purchased from



**Fig. 2a. Handling The Ashpan**

your supplier or, in case of difficulty, from ourselves.

**RIDDLING**

Riddling twice a day is usually sufficient.

The fire should be riddled with all doors shut. Place the tool on the knob and rotate between the horizontal and the 45° position several times as shown in Fig. 3.

Caution: when riddling the grate using solid fuel do not go beyond the 45° position as this can cause the grate to jam.

If jamming does occur then the fire should be allowed to burn for approximately half an hour before

riddling the grate again as described above.

Too much riddling can result in emptying unburnt fuel into the ashpan and should therefore be avoided. Clinker should regularly be removed from the firebed.

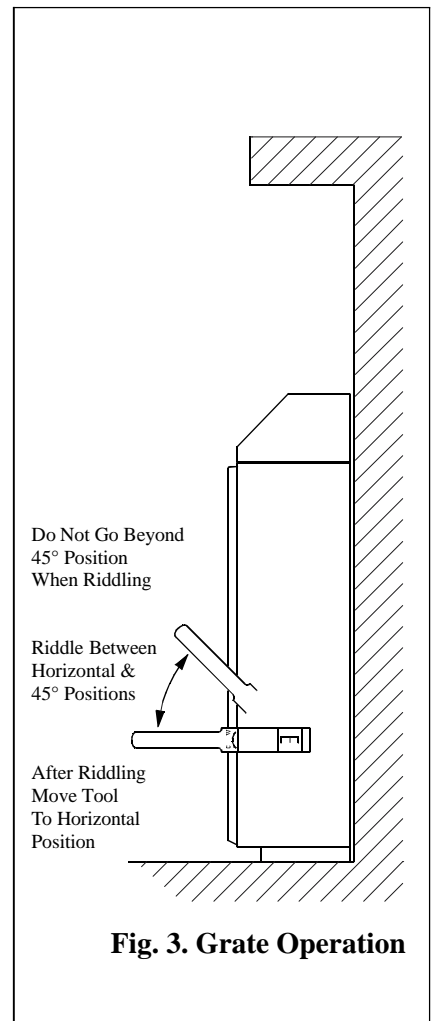
After riddling, the grate should be put back into the solid fuel position (the tool should be horizontal).

**REFUELLING**

Keep the firebox well filled (the fuel may be sloped up from the front firebars), but do not allow fuel to spill over the top of the front fire bars. Take care that fuel does not project over the front fire bars or damage to the glass may be caused when the doors are closed.

**OVERNIGHT BURNING**

Empty the ashpan, if necessary, and then riddle the fire. If the fire is very low then it may be necessary to add a little fuel and turn the thermostat control up to maximum for a brief



**Fig. 3. Grate Operation**

period until the fire is burning brightly before filling with fuel.

If the central heating pump is off overnight then the thermostat may be left at the same setting for both day and night operation. If the central heating pump is on overnight then set the thermostat control to give the required level of heating.

Some experimentation may be necessary to find the setting most suitable for the particular fuel used and the draw on the chimney.

For overnight burning the fire doors must be closed.

To revive the fire, empty the ashpan if necessary, riddle, and turn the thermostat control knob to maximum. When the fire is burning well load on more fuel as necessary and turn the control knob to the desired setting.

## THROAT PLATE AND FLUEWAY CLEANING

It is important that the throat plate and all the appliance flueways are kept clean. When burning smokeless fuels they should be cleaned at least monthly and more frequently if it is found necessary

The throat plate and flueways may be cleaned with a low fire still burning. Lower the throat plate using the throat plate tool. To do this engage the end of the tool in the throat plate as shown in Fig. 4., pull the plate forward and then lower it. Use the scraper tool to push any sooty deposits up the plate until they fall off the back and into the fire. While the throat plate is in the lowered position also scrape any soot deposits from the sides and top of the firebox. Ensure that soot deposits are not allowed to build up on the side boiler faces because if the throat plate becomes tight between the faces this can cause it to fail prematurely.

Return the throat plate to its correct position - raise the front of the plate, push it back and then lower it onto the retaining lugs. The upper set of lugs are for use when burning smokeless fuels, (see Fig. 4.).

More soot will be deposited on the throat plate and in the flueways if the appliance is run at low levels for long periods. If this is the case then more frequent cleaning will be necessary.

## MAINTENANCE

### Cleaning

The appliance is finished in vitreous enamel. To clean the surfaces simply wipe over with a dry cloth. Abrasive pads and scouring cleaners must not be used as these will damage the finish. Care should be taken not to knock the enamel with hard objects as it will chip.

### Cleaning the Glass

The glass in the doors is a special ceramic glass which is able to withstand

thermostat should be left at the maximum setting and the main doors left ajar. It is also advisable to sweep the chimney and clean out the fire. Spraying the inside of the doors and firebox with a light oil, such as WD40, will also help to keep all internal parts working well.

After long periods where the fire has been out of use, the chimney and appliance flueways should be cleaned before lighting.

### Door Seals

For the fire to operate correctly it is important that the door seals are in good condition. Check that they do not become worn or frayed and replace them when necessary.

### Servicing

It is recommended that the fire is serviced once a year to keep it in first class working order. After cleaning out the firebox thoroughly, check that all internal parts are in good working order, replacing any parts that are beginning to show signs of wear. Check that the doors seals are in good condition and that the doors seal correctly. Check the operation of the thermostat, both when cold and hot. A servicing guide, TIS 48. is available on request.

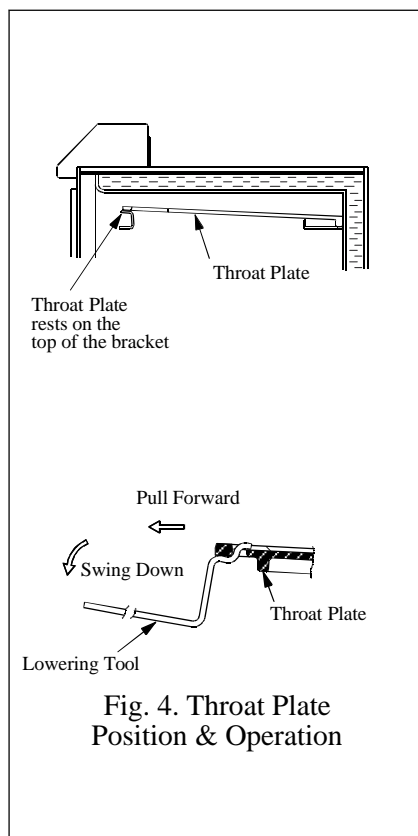


Fig. 4. Throat Plate Position & Operation

high temperatures. Before cleaning the glass open the doors and allow them to cool. Clean the glass using a damp cloth and then wiping over with a dry cloth. Any stubborn deposits on the glass may be removed with a proprietary stove glass cleaner or ceramic hob cleaner. Some deposits on the glass may be burnt off simply by running the fire at a fast rate for a few minutes. Do not use abrasive cleaners or pads as these can scratch the surface which will weaken the glass and cause premature failure. Aerosol spray cleaners should not be used near the appliance whilst it is under fire.

### When not in use

If the fire is going to be out of use for a long period, (for instance in the summer,) then to prevent condensation, and hence corrosion, the

## CHIMNEY SWEEPING

The chimney should be swept at least twice a year. In most installations it will be possible to sweep the chimney through the appliance.

First remove the front firebars and the throat plate. Then sweep the chimney ensuring that soot is removed from all horizontal surfaces after sweeping.

In situations where it is not possible to sweep through the appliance the installer will have provided alternative means, such as a soot door. After sweeping the chimney the appliance flue outlet and the flue pipe connecting the appliance to the chimney must be cleaned with a flue brush.

After clearing any soot from within the fire, replace the throat plate and the front firebars.

Different types of sweep's brushes are available to suit different flueways. For standard brick chimneys a wire centre sweep's brush fitted with a guide wheel is recommended. For prefabricated

insulated chimneys the manufacturers instructions with regard to sweeping should be consulted.

## BOILER REDUCTION BRICK

The optional boiler reduction brick may be used when reduced outputs are required, e.g. during the summer or when the fire is fitted on to a small heating system.

To fit the brick, let the fire out, clear the grate of any ash and fuel, and scrape the boiler faces clean. Lift out the deepening bar and front firebar. Fit the brick into the fire with the thick part of the brick at the bottom and the sloping face at the front as shown on the parts list. Push the brick hard up against the rear face of the boiler. The brick should rest on the side fireplates and should be clear of the grate bars. Replace the front firebar and deepening bar.

As the brick is not cemented into position, fitting and removing it should only take a few minutes.

## TROUBLE SHOOTING

### Fire Will Not Burn.

Check that:

- a) the air inlet is not obstructed in any way,
- b) chimneys and flueways are clear,
- c) a suitable fuel is being used,
- d) there is an adequate air supply into the room,
- e) an extractor fan is not fitted in the same room as the fire.

### Fire Blazing Out Of Control.

Check that:

- a) the doors are tightly closed,
- b) the thermostat knob is turned down to the minimum setting,
- c) the air inlet damper is closed (at the bottom left of the appliance, see Fig. 1.), and that it is not prevented from closing completely by a piece of ash,
- d) a suitable fuel is being used,
- e) the door seals are in good condition.

### Over-Firing

If the fire is over-fired it will cause premature failure of the internal fire parts. Overfiring is occurring when any internal parts of the fire begin to glow red. To prevent over-firing ensure that:

- a) the door seals are kept in good condition, and that the doors are sealing correctly,
- b) the thermostat on the fire is working correctly,
- c) a suitable fuel is being used,
- d) the fire is not fitted onto a heating system which is too large.

### Fume Emission.

**Warning Note: Properly installed and operated this appliance will not emit fumes. Occasional fume from de-ashing and re-fuelling may occur. Persistent fume emission is potentially dangerous and must not be tolerated. If fume emission does persist then the following immediate actions should be taken:**

- A) Open doors and windows to ventilate the room.**
- B) Let the fire out and safely dispose of fuel from the appliance.**
- C) Check for flue or chimney blockage, and clean if required.**
- D) Do not attempt to relight fire until cause of fume has been identified, if necessary seek professional advice.**

The most common cause of fume emission is flueway or chimney blockage. For your own safety these must be kept clean.

### Freezing

Do not light the fire if there is any possibility that any parts of the system may be frozen.

### Chimney Fires.

If the chimney is thoroughly and regularly swept, chimney fires should not occur. However, if a chimney fire does occur then close the secondary air inlet (see Fig. 2.), turn the control knob to the minimum setting (see Fig. 1), and tightly close the doors of the appliance. This should cause the chimney fire to go out in which case the control should be kept at the minimum setting until the fire in the appliance has gone out. The chimney and flueways should then be cleaned. If the chimney fire does not go out when the above action is taken then the fire brigade should be called immediately.

After a chimney fire the chimney should be carefully examined for any damage. Expert advice should be

sought if necessary.

## Lack of Heat To Radiators / Hot Water

Check that:

- a) the fire is burning properly - if not then carry out the checks under "Fire Will Not Burn".
- b) the throat plate is fitted correctly (see Fig. 4.) and that it is not distorted.
- c) the door seals are in good condition.
- d) If the hot water goes cold when the pump is turned on, or if some radiators are hotter than others, then the system may need balancing, the pump may be pumping the water too quickly around the system, or the radiators may need bleeding. Please ask your installer to check these points.
- e) Ensure that the boiler reduction brick has not been fitted when it is not required.



# INSTALLATION INSTRUCTIONS FOR THE CHARNWOOD LA45iB & LA50iB

## HEALTH AND SAFETY PRECAUTIONS

Please take care when installing the appliance that the requirements of the Health and Safety at Work Act 1974 are met.

Some types of fire cement are caustic and should not be allowed to come into contact with the skin. In case of contact wash with plenty of water.

If there is a possibility of disturbing any asbestos in the course of installation then please use appropriate protective equipment.

There must not be an extractor fan fitted in the same room as the appliance as this can cause the appliance to emit fumes into the room.

There must be an adequate air supply into the room in which the appliance is installed totalling at least 100 cm<sup>2</sup> (16 in.<sup>2</sup>) to provide combustion air. This is particularly necessary if the room is double glazed.

Do not light the fire before the boiler has been connected to the system and filled with water, as this can cause serious damage to the boiler.

In addition to these instructions the requirements of BS:8303 and BS:6461 Pt 1&2; 1984 must be fulfilled. Local Authority Bylaws and Building Regulations regarding the installation of Solid Fuel burning appliances, flues and chimneys must also be observed.

## PERFORMANCE

The rated output for the LA45iB is 10.1 kW (34500 btu/h) to water and 3.1 kW (10600 btu/h) to the room. When the optional boiler reduction brick is fitted the outputs are reduced to 8.8 kW (30000 btu/h) to water and 2.1 kW (7200 btu/h) to the room.

The rated output for the LA50iB is 12.0 kW (41000 btu/h) to water and

2.2 kW (7500 btu/h) to the room.

These are the outputs obtained during testing in accordance with BS 3378 burning smokeless fuel with the doors closed over a 4 hourly re-fuelling interval.

The boiler reduction brick, (which may also be used on the LA50iB), may be used when a reduced output is required, e.g. during the summer, or where the appliance is installed on a small heating system.

The heat output to the room is directly proportional to the heat output to water as shown in Fig. 5. This means that if the water heating load is less

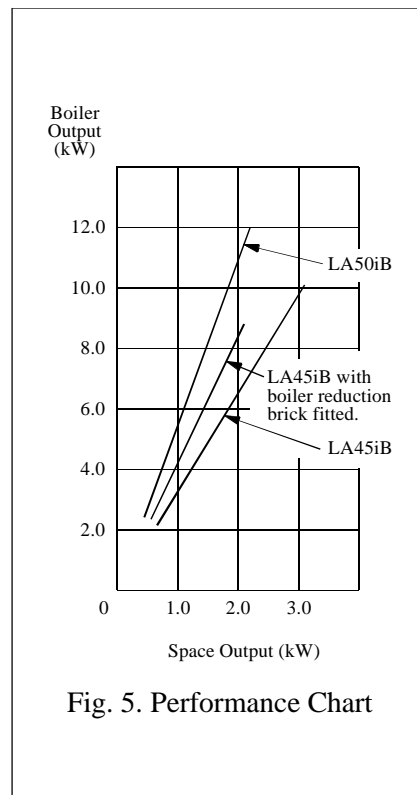


Fig. 5. Performance Chart

than the rated output then the room heating will be reduced by the same proportion. This must be borne in mind when calculating the heating requirements.

## CHIMNEY

In order for the appliance to perform satisfactorily the chimney height must not be less than 4 metres measured vertically from the outlet of the fire to

the top of the chimney. The chimney should preferably be 175 mm (7 inches) or 200mm (8 inches) internal diameter or square with sides of 175mm or 200mm internally and **MUST NOT BE LESS THAN 150mm (6 INCHES) INTERNAL DIAMETER OR 150 x 150mm INTERNAL SQUARE.**

Special chimney and flue connection requirements apply to appliances installed for the Northern Ireland Housing Executive. Please refer to Technical Information Sheet no.45 which is available from A. J. Wells & Sons on request.

If an existing chimney is to be used it must be swept and checked, it must be in good condition, free from cracks and blockages, and should not have an excessive cross sectional area (e.g. greater than 250mm x 250mm). If you find that the chimney is in poor condition then expert advice should be sought regarding the necessity of having the chimney lined. If it is found necessary to line the chimney then a lining suitable for Solid Fuel must be used.

If there is no existing chimney then a prefabricated block chimney or a twin walled insulated stainless steel flue to BS:4543 can be used either internally or externally. These chimneys must be fitted in accordance with the manufacturers instructions and Building Regulations.

Anki pumice liners or chimney blocks will give a highly insulated chimney which will work well with all fuels. For details ring (01983) 527997.

Single wall flue pipe is suitable for connecting the appliance to the chimney but is not suitable for using for the complete chimney.

If it is found that there is excessive draw in the chimney then a draught stabilizer should be fitted.

## HEARTH

The appliance must be installed on a fireproof hearth and must be situated at least 300 mm (12 inches) from any

combustible material. The positioning of the appliance and the size of the hearth are governed by building regulations for Class 1 appliances. These building regulations state that the hearth must extend in front of the appliance by at least 300 mm (12 inches) and to the sides by at least 150 mm (6 inches). If in doubt as to the positioning of the appliance expert advice should be sought either from the supplier or the local building inspector.

## PREPARATION OF FIREPLACE

Before fitting the appliance into an existing fireplace remove the fireback and any loose in-fill material.

The hearth, surround and opening for the appliance must conform with Figs. 6 and 7. The flat area around the opening must be a minimum of 750mm wide and 660mm high. Ensure that the hearth and the base in the opening are flat, level, and at right angles to the surround.

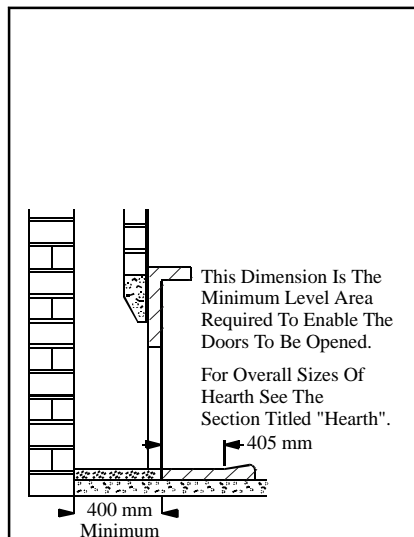
Make two holes in the chimney breast, one in the front to give access for infilling and fixing the flue pipe, and one in the side to give access for the pipework.

## CENTRAL HEATING SYSTEM

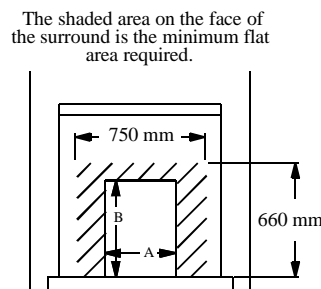
The central heating system must comply with BS:5449 part 1.

If the system is to be a combined heating and domestic hot water system then a double feed indirect hot water storage cylinder to BS:1566 part 1 should be used. In order to prevent the build up of scale and corrosion a suitable inhibitor should be used. The system must be correctly vented as shown in Figs. 8 and 9. The height differential between the header tank and the appliance must not exceed 15.2 metres (50 feet).

If all four boiler tappings are used then, if possible, diagonal pairs should be connected for domestic hot water and central heating. Where a common return is used an injector tee must be incorporated into the system as shown in Fig. 10. This will ensure that a good domestic hot water supply is maintained when the central heating pump is operating. These are available from ourselves if you are unable to obtain one locally.



**Fig. 6. Limiting Dimensions Of Hearth**



Dim. A:  
Max. 470mm (18 - 1/2")  
Min. 405mm (16")

Dim. B:  
Max. 575mm (22 - 2/3")  
Min. 555mm (21 - 3/4")

**Fig. 7. Limiting Dimensions Of Surround And Opening**

The system must incorporate a gravity circuit which will normally heat the domestic hot water and an unvalved radiator with an output of at least 1 kW. When the appliance is not connected to a domestic hot water system the unvalved radiator(s) on the gravity circuit must have an output of at least 1.25 kW. This is to prevent boiling in case of pump failure. All pipework in the primary circuit must be 28 mm diameter and the gravity flow pipe must rise continuously from the boiler to the open vent. Two typical systems are shown in Figures 8. and 9.

If the appliance is used to heat a small central heating system then the heat output to the room from the fire will

be reduced. Fig. 5. shows the ratio of space heating to water heating which can be expected.

Fitting a radiator in the same room as the fire is recommended as it will allow greater flexibility in the way that the system is operated as well as ensuring that there is sufficient heat.

## SYSTEM CONTROLS

The circulating pump may be controlled by means of time switches, room thermostats or outdoor thermostats. Radiators may be either manually or thermostatically controlled. These controls will all work in conjunction with the thermostat on the appliance and the minimum return thermostat.

We recommend fitting a pipe thermostat onto the gravity return pipe and wiring it into the mains supply to the pump so that if the gravity return temperature drops below 45°C then the pump will cut out. This will help to prevent condensation forming on the boiler faces and will thereby increase the life of the boiler. It will also ensure that priority is given to the domestic hot water. These thermostats are available from ourselves if you are unable to obtain them locally.

## FITTING THE FIRE

In some cases it may be necessary to place the connecting flue pipe in the chimney before fitting the fire into the fireplace.

Apply fire cement to the rear face of the sealing flange on the appliance. Fit the appliance into the opening ensuring that it is central and that a good seal is made between the sealing flange and the face of the surround.

Remove any excess fire cement from around the sealing flange.

The fire should be screwed to the hearth through the holes at the base of the sealing flange.

Connect the heating system to the boiler ensuring that the primary flow pipe rises from the appliance. Fill the system with water and check for leaks.

## FLUE CONNECTION AND INFILLING

Make the flue connection with a short

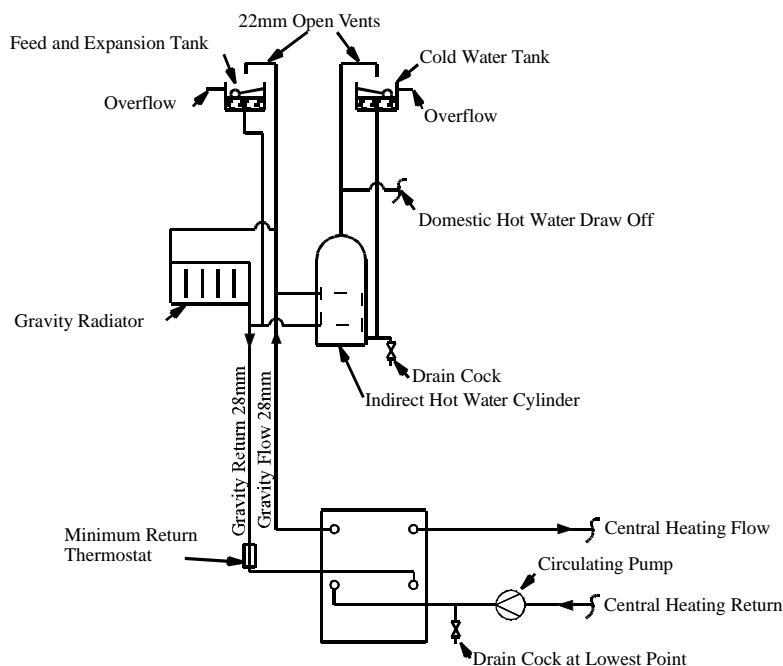


Fig. 8. Typical Central Heating & Hot Water System Using 4 Boiler Tappings

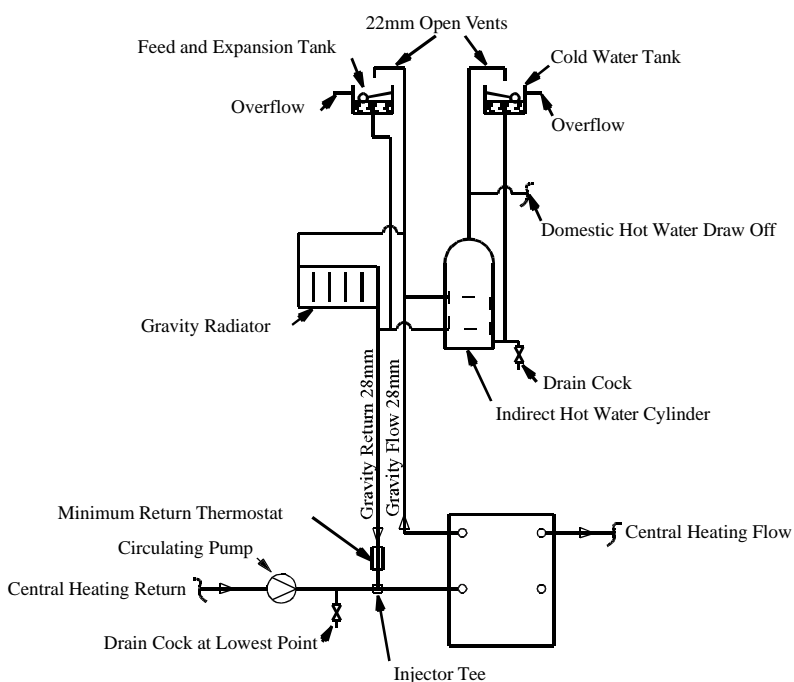


Fig. 9. Typical Central Heating & Hot Water System Using 3 Tappings

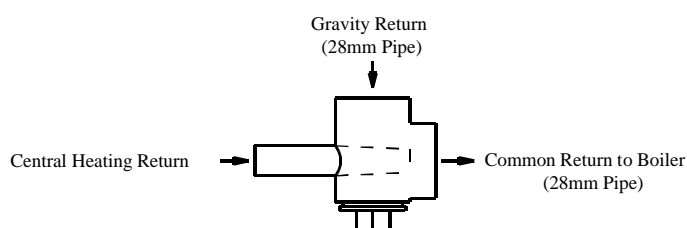


Fig. 10. Injector Tee.

length of 150mm (6") internal diameter flue pipe (cast iron to BS41, 1.0 mm thick stainless steel, or 5.0mm thick mild steel).

The end of the flue pipe must line up with the centre-line of the chimney, and must also extend to the point where the chimney narrows to its final size. Any large voids must be filled and flaunch to the flue pipe to ensure that all soot deposits can be cleared when the chimney is swept. If necessary a flue offset is available. The offset may be used directly with stainless steel flue pipe or may be used with cast iron flue pipe in conjunction with a cast iron adaptor. If the flue pipe has to be set at an angle then cut the ends so that it sits correctly.

Ensure that the flue pipe is not obstructed or restricted in any way and that all joints are well sealed.

Before infilling cover the front of the appliance to protect it. Ensure that the flue pipe is central and then fill the space between the body of the appliance and the structural brickwork with vermiculite (e.g. micafil or similar) concrete. Ensure that there are no air pockets. The recommended mix is six volumes of vermiculite granules to one volume of Portland cement thoroughly mixed together. Enough water should be added so that no more than one or two drops of water are released when a handful of the mixture is squeezed.

After filling with vermiculite flaunch the top of the flue connector pipe to the chimney with lime mortar.

Make good the holes in the front and side of the chimney breast making sure that they are completely airtight. A typical installation is shown in Fig.11.

In most installations it will be possible to sweep the chimney through the appliance. If this is not possible then some alternative means (such as a soot door), must be provided.

The free inset method of installation may be used instead of infilling. Details are available on request.

### THERMOSTAT

Before lighting the fire check the cold setting distance of the thermostat.

With the control knob at the maximum setting the flap should be 18 mm from

the air inlet as shown in Fig. 12. To adjust the distance slacken the locking nut and adjust as necessary. When set correctly re-tighten the locking nut. Ensure that the flap opens and closes freely as the knob is turned.

### ASSEMBLY

Fit the side panels and hood onto the appliance. Instructions for this are enclosed with the panel pack.

Replace any internal parts previously removed.

### PRE LIGHTING CHECK

Before initial lighting check the following points:

1. The bottom grate bars must all be fitted and should move freely and easily when the riddling mechanism is

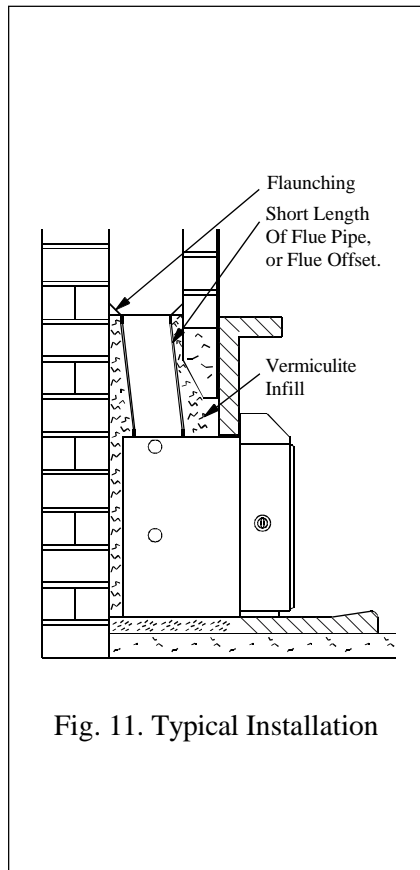


Fig. 11. Typical Installation

operated.

2. The plates round the sides and back of the grate must be in position and sitting correctly.
3. The throat plate must be fitted in the roof of the appliance - see Fig. 13.

### COMMISSIONING

On completion of the installation and after allowing a suitable period of time for the fire cement and mortar to dry out, the fire should be lit and checked to ensure that smoke and fumes are taken from the appliance up the chimney and emitted safely. Also check all joints and seals.

The central heating pump should be adjusted to give the correct water flow against the circuit resistance and the system should be correctly balanced.

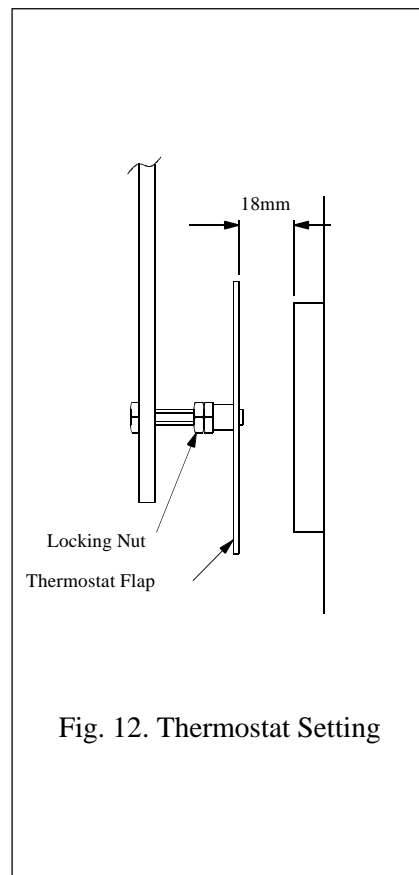


Fig. 12. Thermostat Setting

On completion of the installation and commissioning please leave the operating instructions with the customer and advise on the use of the appliance and any controls on the

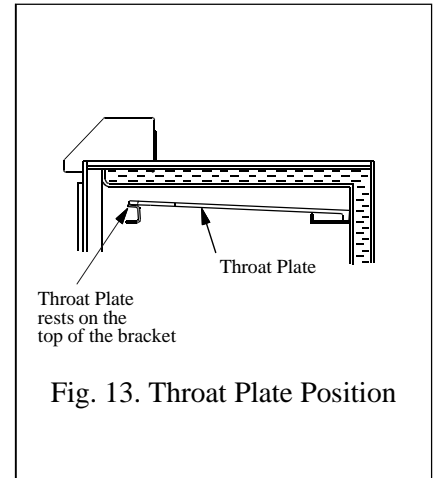


Fig. 13. Throat Plate Position

system.

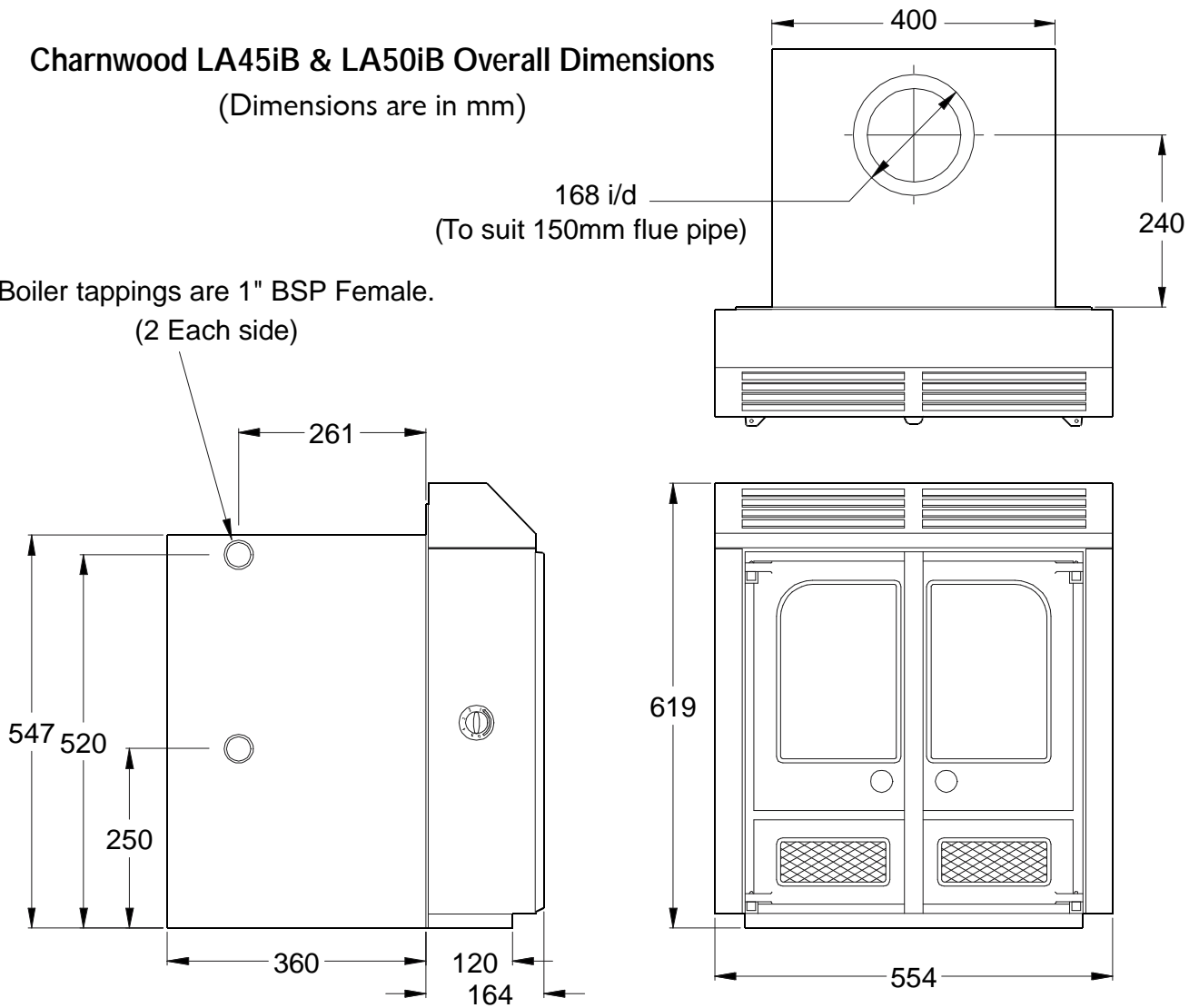
### FREESTANDING KIT

A freestanding kit is available. Details of dimensions and outputs are available on request.

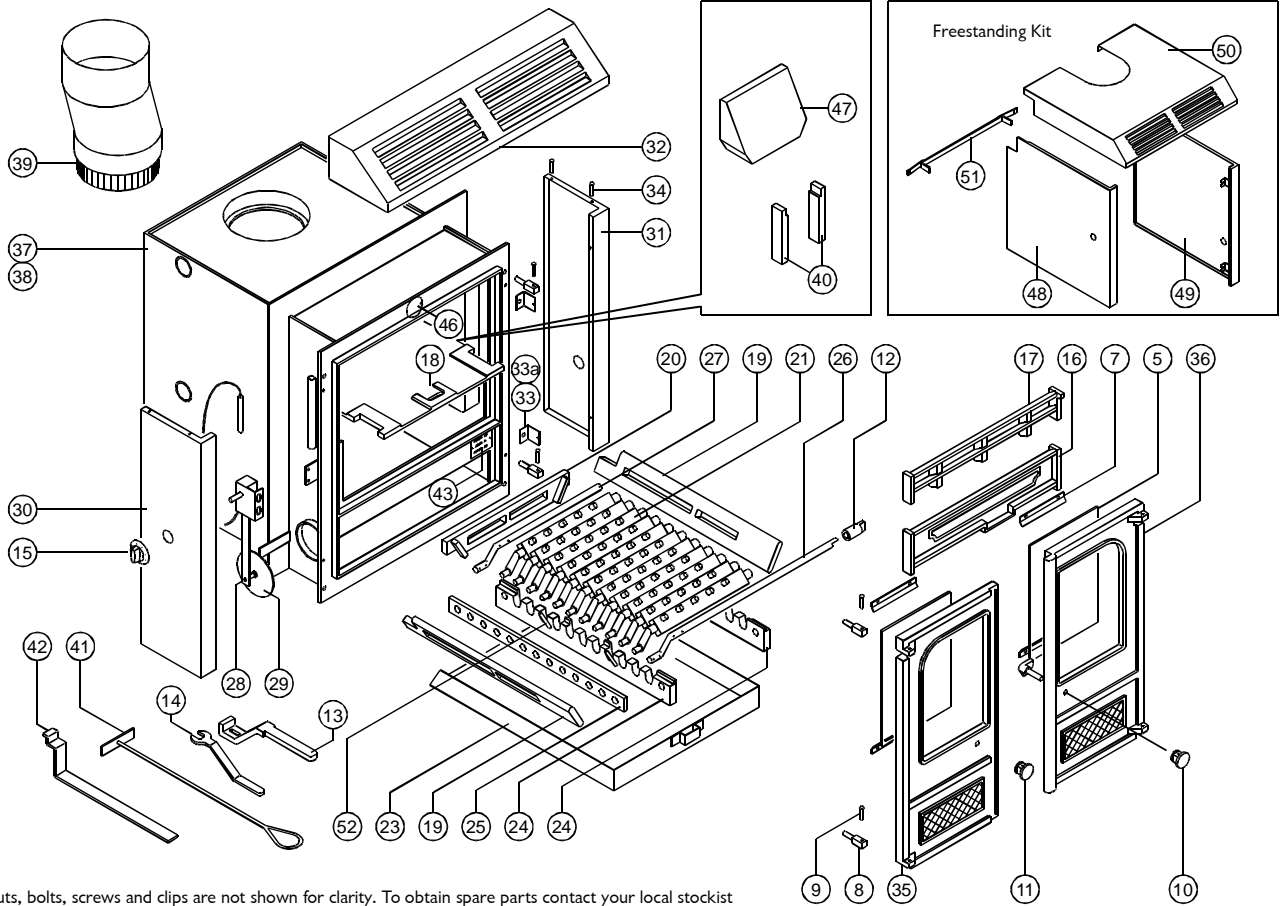
### Charnwood LA45iB & LA50iB Overall Dimensions

(Dimensions are in mm)

Boiler tappings are 1" BSP Female.  
(2 Each side)



# CHARNWOOD LA45iB & LA50iB PARTS LIST



Nuts, bolts, screws and clips are not shown for clarity. To obtain spare parts contact your local stockist giving Model, Part No. and Description. In case of difficulty contact the manufacturer at the address shown below. This drawing is for identification purposes only.

Item	Part number	Description	Item	Part No.	Description
1*	008/RW35L	L.H. Door Seal	27	012/CG05	Idler Rod
2*	008/RW35R	R.H. Door Seal	28	008/FW48	Thermostat C/W Flap
3*	008/RW35/S	Door Seal Set Incl. Adhesive	29	008/BW57	Thermostat Flap 90mm Dia
4*	008/FW29	Door Seal Adhesive	30	005/RW05	Side Panel L.H.
5	006/RW18	Glass Inc Glass Channel	31	005/RW04	Side Panel R.H.
6*	008/RW44/S	Glass Channel Set Of 8	32	005/RW06	Hood Panel
7	004/EW23	Glazing Bar	33	004/RW13	Panel Fixing Bracket
8	008/FW27	Hinge Post Main Door	33a	012/RW30	Hood & Panel Fixing Kit
9	008/BW39/S	Hinge Pin Main Door Set (4)	34	008/WW145	Hood Fixing Pin Set (4)
10	008/RW43/A	Door Catch Assembly R.H.	35	003/RW01	Door L.H.
11	002/BW12	Door Knob L.H.	36	003/RW02	Door R.H.
12	002/CG06	Riddler Knob	37	009/LA50iB/A	Firebox Assembly LA50iB
13	002/BW20	Riddler/ Ashpan Tool	38	009/LA45iB/A	Firebox Assembly LA45iB
14	002/BW26	Door Opening Tool	39	012/FW12	Flue Offset (Optional Extra)
15	008/BW50	Thermostat Knob	40	011/JW09	Fire Brick (LA45iB)
16	002/FW07	Front Firebar	41	012/FW34	Scraper Tool
17	002/FW08	Deepening Bar	42	008/FW33	Throatplate Tool
18	002/FW32	Throat Plate	43		Serial No. Label
19	002/FW15	Side Fire Plate	44*	010/FW51	Ash Carrier (Optional Extra)
20	002/FW16	Back Fire Plate	45*	008/TH02/L	Low Level Pipe Stat (Optional Extra)
21	002/CG01	Bottom Grate Bar	46	012/RW09	Secondary Air Flap
22	002/CG01S11	Set Of Grate Bars	47	011/AV09	Boiler Reduction Brick (Opt'l Extra)
23	004/FW17	Ashpan	48	005/RW23	Side Panel L.H. (Freestanding Kit)
24	002/EW30	Carrier Bar	49	005/RW24	Side Panel R.H. (Freestanding Kit)
25	012/EW33	Mover Bar	50	005/RW25	Top Panel (Freestanding Kit)
26	012/FW14	Riddler Rod	51	010/RW26	Rear Panel Bracket (F'standing Kit)

\* These items are not shown on the drawing.



**A. J. WELLS & SONS**

Bishops Way, Newport, Isle of Wight, PO30 5WS, U.K.

Tel: +44(0)1983 527552 Fax: +44(0)1983 821267

E-Mail: [charnwood@ajwells.co.uk](mailto:charnwood@ajwells.co.uk) Internet: [www.charnwood.com](http://www.charnwood.com)