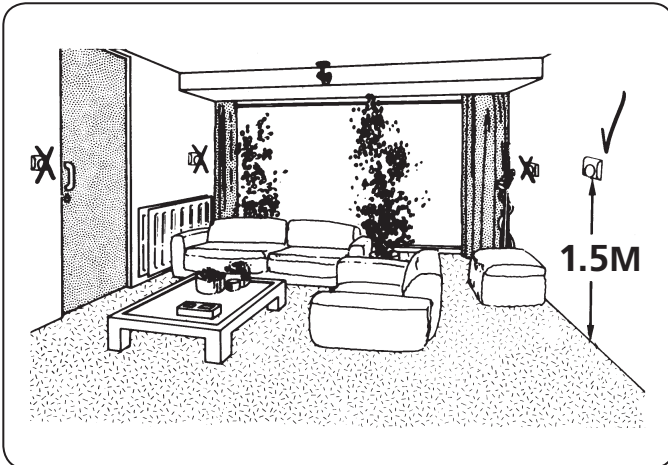


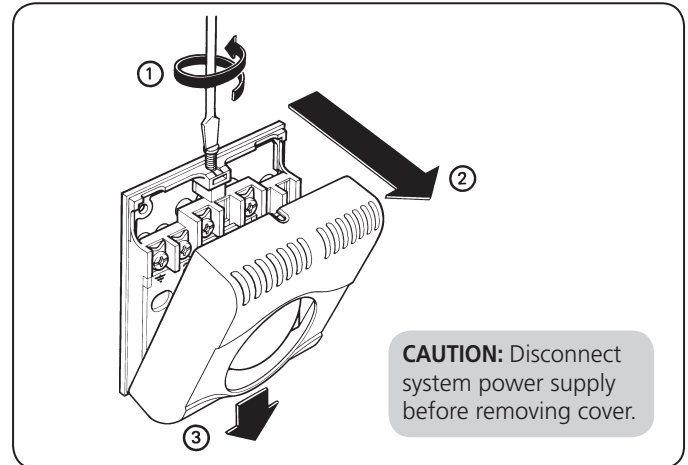
# Installation Guide

## for EHE0200155 Room Thermostat

### 1. Find a suitable location for mounting



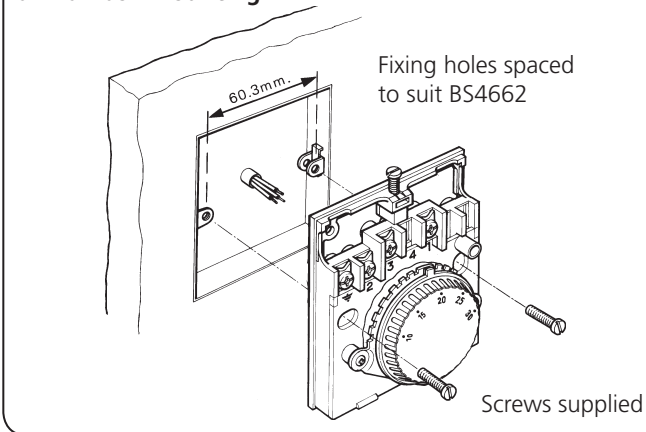
### 2. Remove the cover from the backplate



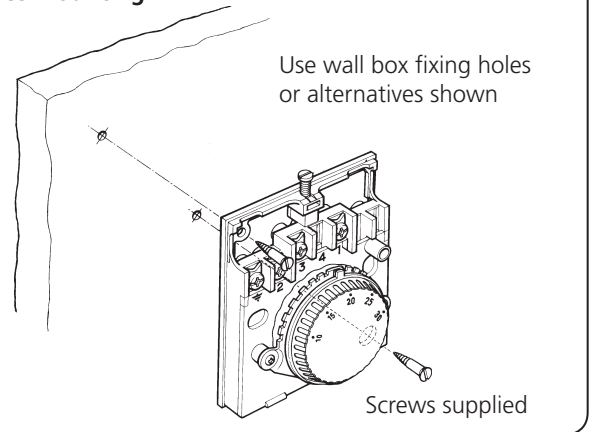
42006637-003 R1

### 3. Mount the backplate to wall

#### a. Wall box mounting

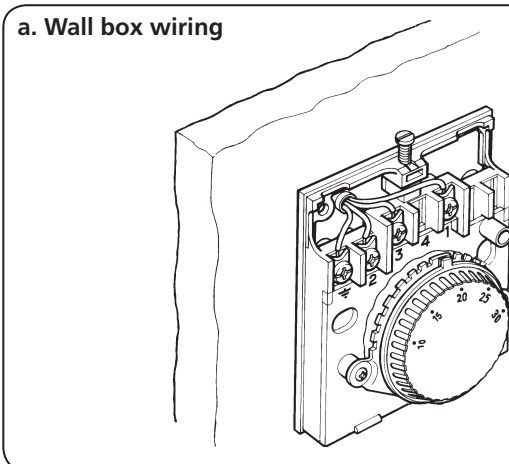


#### b. Surface mounting

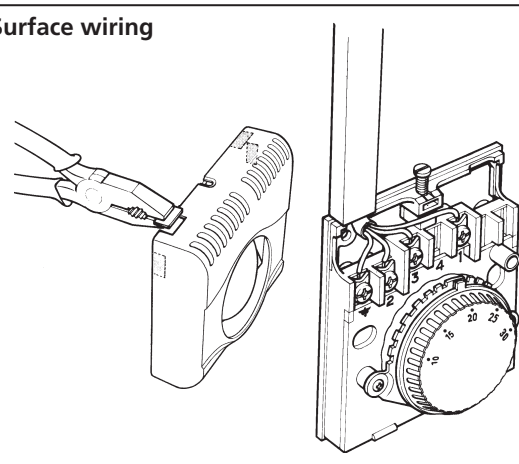


### 4. Wiring options

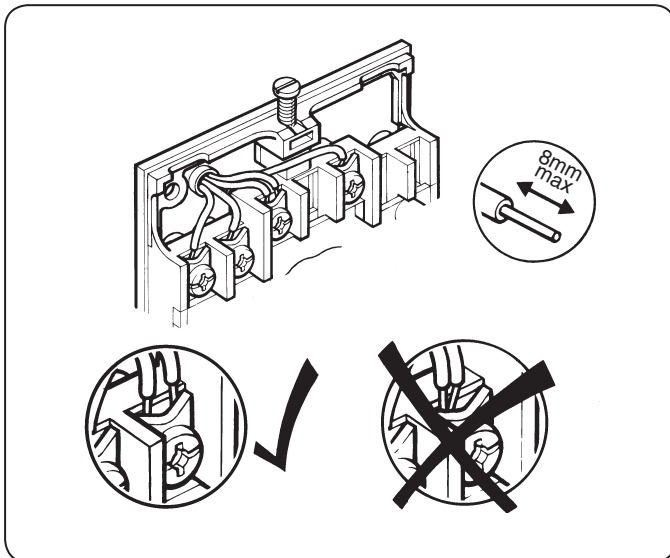
#### a. Wall box wiring



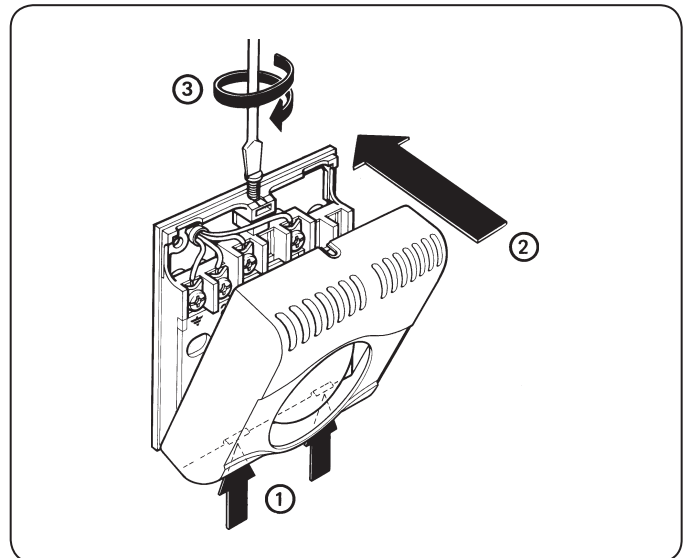
#### b. Surface wiring



## 5. Connect the wiring correctly



## 6. Attach the cover to the backplate



## 7. Wiring diagram

**All wiring must be in accordance with I.E.E. Regulations. This thermostat is for fixed wiring only.**

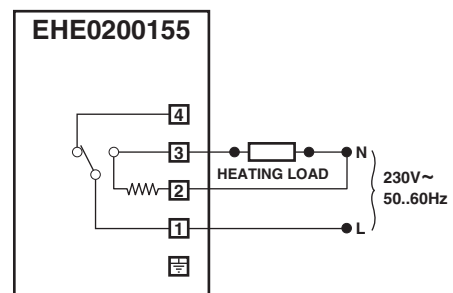
A Class 'A' switch (having contact separation of at least 3mm in all poles) must be incorporated in the fixed wiring as a means of disconnecting the mains supply.

The thermostat is a Class II (double insulated) device. An earth terminal is provided for external earth wiring continuity.

The heating system must be appropriately fused. A fuse rated at no more than 10 Amps should be installed.

The thermostat has 4 knockouts on the cover for surface wiring installations. Care must be taken to use the knockouts so that the cable completely fills the knockout hole without leaving any gaps. Where used, mini-trunking must be fitted firmly against the thermostat cover in such a way as to leave no gap.

A neutral connection must be made to terminal 2 when the heating load is less than 6 Amps.



Terminal 3: 10(3) A max  
Terminal 4: 6(2) A max

**IMPORTANT!** No user serviceable parts. Do not dispose of in a fire.

For further information telephone 0870 8506538

Whilst every care has been taken to ensure that the information included in this document was accurate at the time of printing, we reserve the right to change specifications at any time. The photographs reproduced in this publication are within the constraints of the printing process and are NOT to be used for matching purposes. E&OE.

a **WOLSELEY** company

Ref:4277

