

Installation Guide

for EHE0200158 Frost Thermostat

Frost Thermostat Application

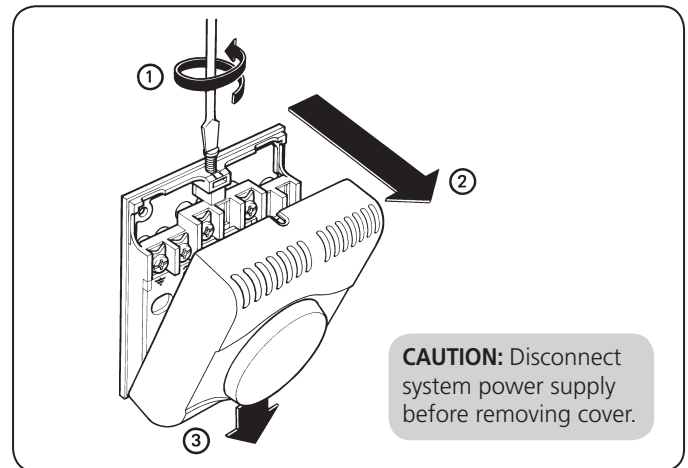
The Frost Thermostat can be installed to protect either the whole central heating system, or the boiler and localised pipework.

If the Frost Thermostat is installed to protect the central heating system it must be sited within the dwelling in a place where a rise and fall in ambient air temperature can be detected i.e. in a room with a radiator. The wiring for this is shown in the wiring diagram overleaf.

The Frost Thermostat must be wired to override all other time and temperature control and preferably to switch on the heating circuit, rather than the hot water circuit.

When a Frost Thermostat is installed on a central heating system, the Connection Unit should only be switched off for servicing or maintenance. If the system is to be switched off for any other reason e.g. holiday, then switching MUST only be carried out at the programmer or time clock.

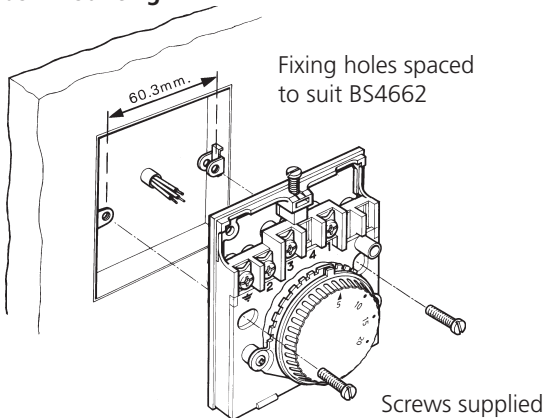
1. Remove the cover from the backplate



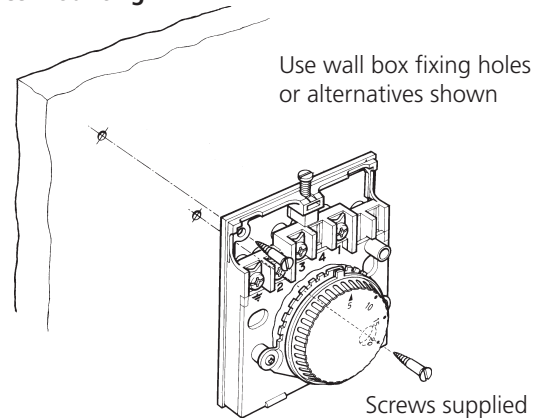
42007193-003 R1

2. Mount the backplate to wall

a. Wall box mounting

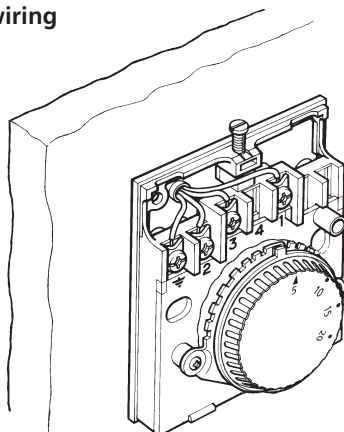


b. Surface mounting

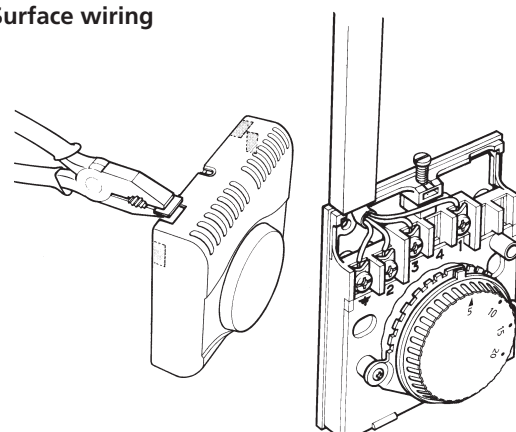


3. Wiring options

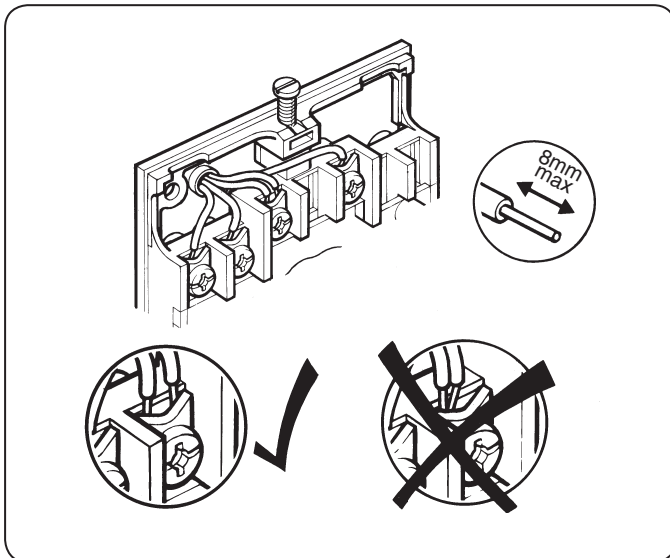
a. Wall box wiring



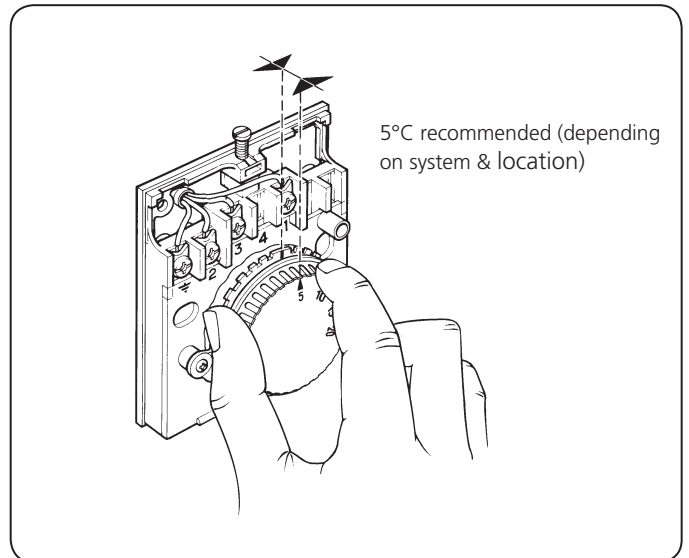
b. Surface wiring



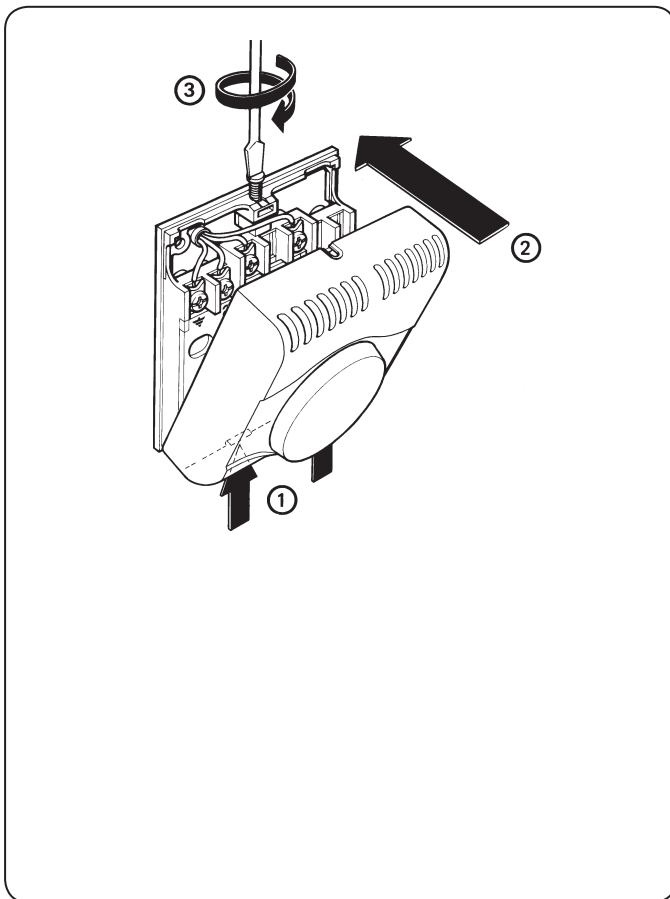
4. Connect the wiring correctly



5. Frost protection setting



6. Attach the cover to the backplate



IMPORTANT! No user serviceable parts.
Do not dispose of in a fire.

7. Wiring diagram

All wiring must be in accordance with I.E.E. Regulations. This thermostat is for fixed wiring only.

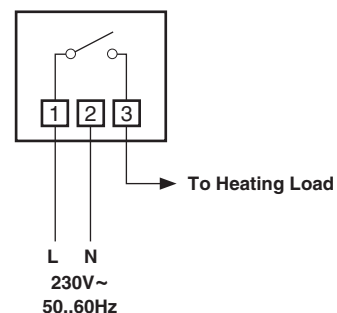
A Class 'A' switch (having contact separation of at least 3mm in all poles) must be connected in the fixed wiring of the system as a means of disconnecting the mains supply.

This thermostat is a Class II (double insulated) device. An earth terminal is provided for external earth wiring continuity. The heating system must be appropriately fused.

The thermostat has 4 knockouts on the cover for surface wiring installations. Care must be taken to use the knockouts so that the cable completely fills the knockout hole without leaving any gaps. Where used, mini-trunking must be fitted firmly against the thermostat cover in such a way as to leave no gaps.

EHE0200158 current rating: 10A resistive, 3A inductive.

EHE0200158



For further information telephone 0870 8506538

Whilst every care has been taken to ensure that the information included in this document was accurate at the time of printing, we reserve the right to change specifications at any time. The photographs reproduced in this publication are within the constraints of the printing process and are NOT to be used for matching purposes. E&OE.

a **WOLSELEY** company

Ref:4277

