

Damper actuator for operating air control dampers in ventilation and air-conditioning systems for building services installations

- For air dampers up to approx. 0.4 m<sup>2</sup>
- Torque 2 Nm
- Nominal voltage AC/DC 24 V
- Control: Open-close or 3-point V
- Damper rotation: Form-fit 8 mm
- Connecting terminals



## Type overview

Type	Direction of rotation
CM24-F-T-L	counter-clockwise (ccw)
CM24-F-T-R	clockwise (cw)

## Technical data

<b>Electrical data</b>	Nominal voltage	AC 24 V, 50/60 Hz / DC 24 V	
	Nominal voltage range	AC/DC 19.2 ... 28.8 V	
	Power consumption	In operation 0.5 W @ nominal torque At rest 0.2 W For wire sizing 1 VA	
	Connection	Terminals for 3 x 1.5 mm <sup>2</sup> CU wire or 3 x 1.0 mm <sup>2</sup> CU litz wires	
<b>Functional data</b>	Torque (nominal torque)	Min. 2 Nm @ nominal voltage	
	Direction of rotation	See «Type overview»	
	Manual override	Gear disengagement with magnet	
	Angle of rotation	Without limit Endless With limit Fixed 315°↔ or 0 ... 287.5°↔ with mechanical end stops, can be adjusted in 2.5°↔ increments	
	Running time	75 s / 90°↔	
	Sound power level	Max. 35 dB (A)	
	Damper rotation	Form-fit 8 mm	
	Position indicator	Mechanical, pluggable (with integrated magnet for gear disengagement)	
	<b>Safety</b>	Protection class	III Safety extra-low voltage / UL Class 2 Supply
		Degree of protection	IP20 in any mounting position NEMA1, UL Enclosure Type 1
EMC		CE according to 2004/108/EC	
Certification		cULus according to UL 60730-1A and UL 60730-2-14 and CAN/CSA E60730-1:02 Certified to IEC/EN 60730-1 and IEC/EN 60730-2-14	
Mode of operation		Type 1 (EN 60730-1)	
Rated impulse voltage		0.8 kV (EN 60730-1)	
Control pollution degree		2 (EN 60730-1)	
Ambient temperature		-30 ... +50 °C	
Non-operating temperature		-40 ... +80 °C	
Ambient humidity		95% r.H., non-condensating (EN 60730-1)	
Maintenance	Maintenance-free		
<b>Dimensions / Weight</b>	Dimensions	See «Dimensions» on page 2	
	Weight	Approx. 130 g	

## Safety notes



- The actuator is not allowed to be used outside the specified field of application, especially in aircraft or any other form of air transport.
- Assembly must be carried out by trained personnel. Any legal regulations or regulations issued by authorities must be observed during assembly.
- The device may only be opened at the manufacturer's site. It does not contain any parts that can be replaced or repaired by the user.
- When calculating the required torque, the specifications supplied by the damper manufacturers (cross section, design, installation site), and the air flow conditions must be observed.

Safety notes

(Continue)

- The device contains electrical and electronic components and is not allowed to be disposed of as household refuse. All locally valid regulations and requirements must be observed.

Product features

- Simple direct mounting** The hollow spindle of the actuator is mounted directly on the damper spindle (8 mm) with a positive-fit connection. The actuator is then secured with the anti-rotation strap supplied, to prevent it from rotating.
- Manual override** Manual override with magnet possible (the gear is disengaged as long as the magnet adheres to the symbol ©. The magnet for gear disengagement is integrated in the position indicator.
- Adjustable angle of rotation** Adjustable angle of rotation with mechanical end stops.
- High functional reliability** The actuator is overload-proof, requires no limit switches and automatically stops when the end stop is reached.

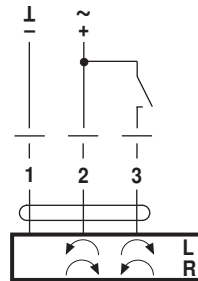
Electrical installation

Wiring diagrams

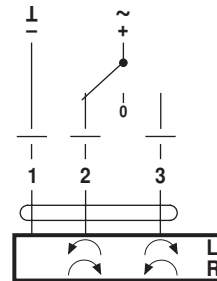
**Note**  
 • Connect via safety isolation transformer.  
 • Other actuators can be connected in parallel.  
 Please note the performance data.



Open-close control

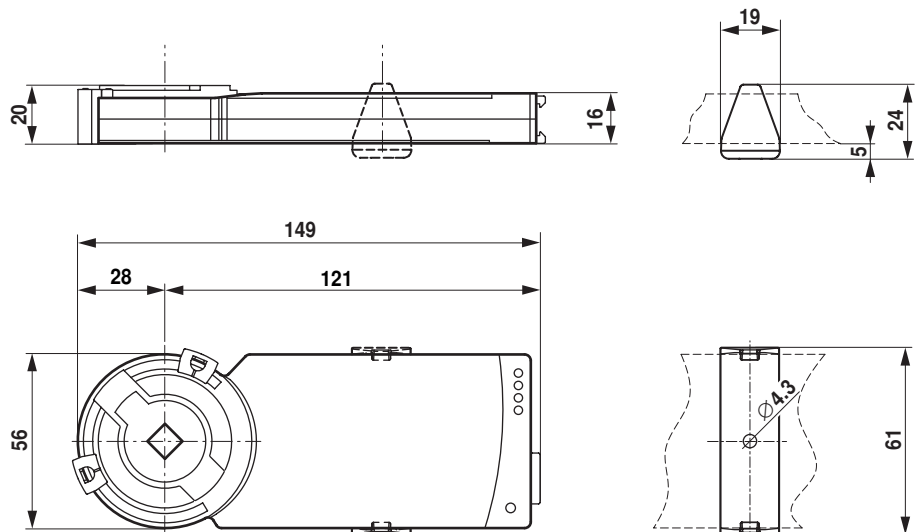


3-point control



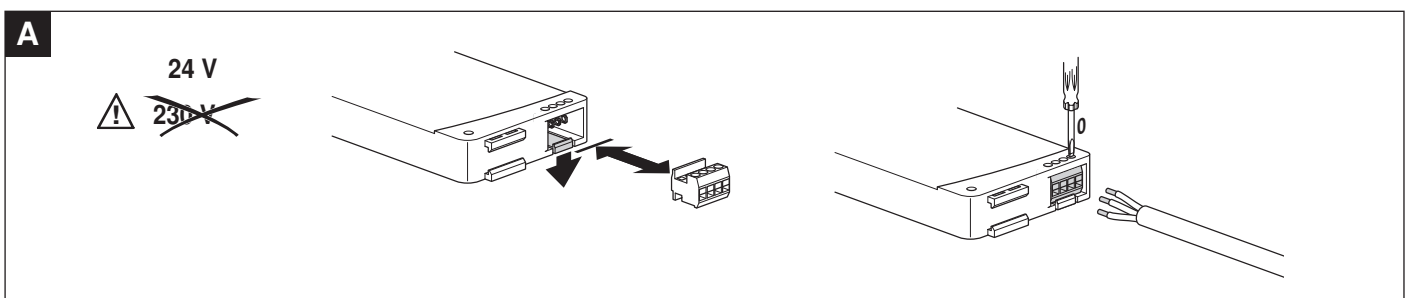
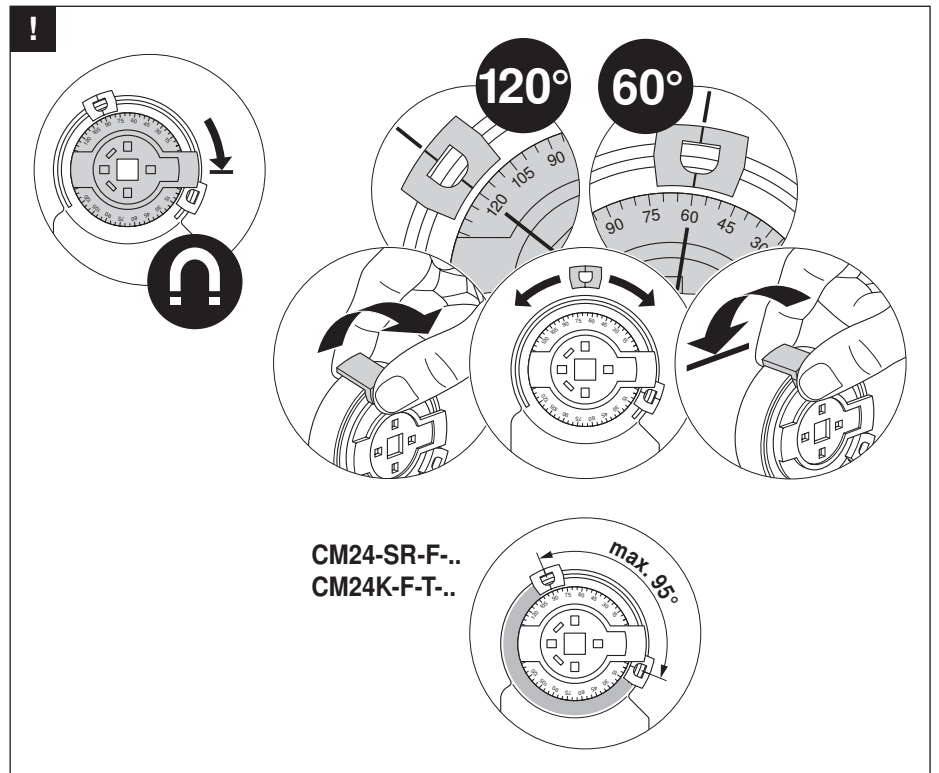
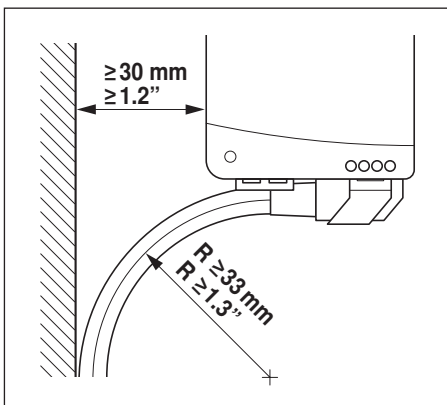
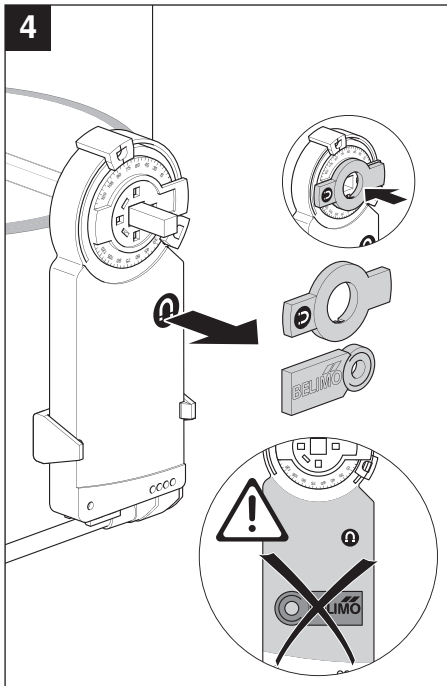
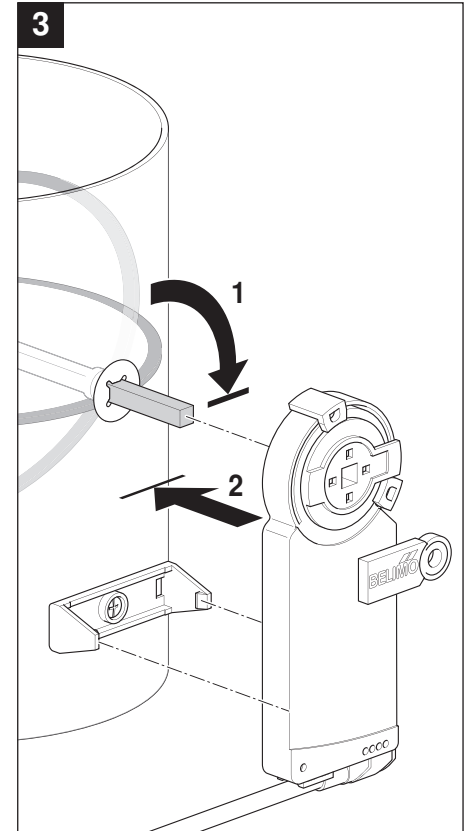
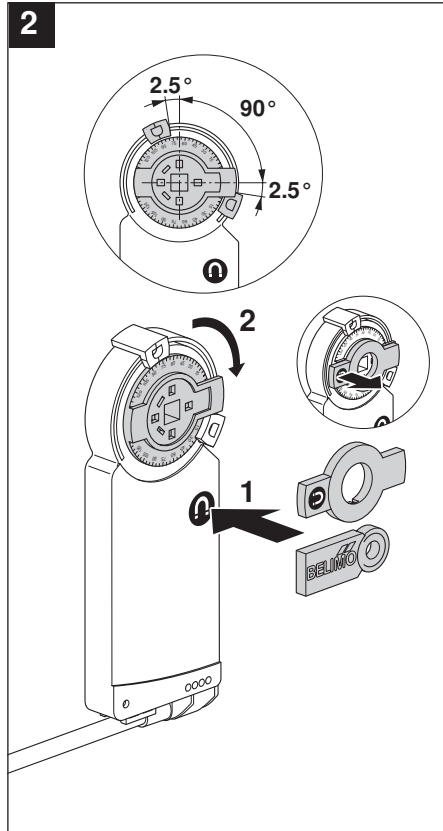
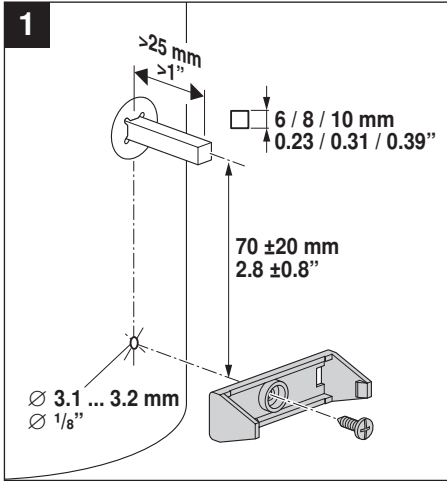
Dimensions [mm]

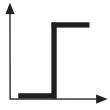
Dimensional drawings



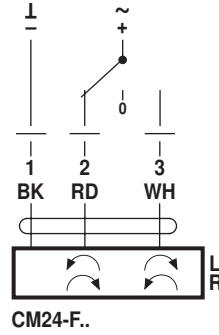
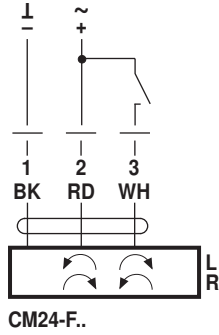
Damper spindle	Length	Ø
	≥25	8

70670-00001.E

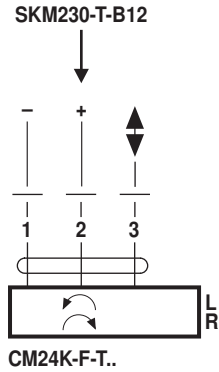




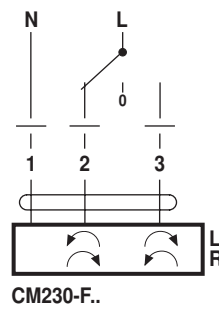
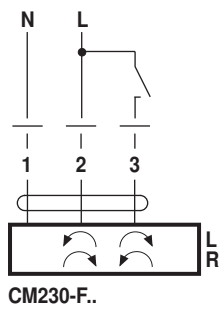
AC 24 V / DC 24 V



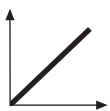
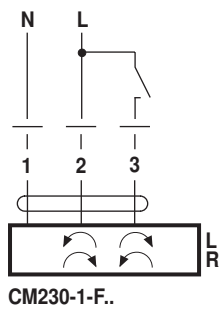
DC 24 V  
(SKM230..)



AC 100 ... 240 V ⚠



AC 230 V ⚠



AC 24 V / DC 24 V

