

Damper actuator for operating air control dampers in ventilation and air-conditioning systems for building services installations

- For air dampers up to approx. 0.4 m²
- Torque 2 Nm
- Nominal voltage AC 230 V
- Control: Open-close
- Damper rotation: Form-fit 8 mm



Type overview

| Type | Direction of rotation |
|-------------|-------------------------|
| CM230-1-F-L | counter-clockwise (ccw) |
| CM230-1-F-R | clockwise (cw) |

Technical data

| | | | |
|----------------------------|---|--|---|
| Electrical data | Nominal voltage | AC 230 V, 50 Hz | |
| | Nominal voltage range | AC 207 ... 253 V | |
| | Power consumption | In operation | 1.5 W @ nominal torque |
| | | At rest | 1.5 W |
| For wire sizing | | 8.5 VA | |
| | Connection | Cable 1 m, 3 x 0.75 mm ² | |
| Functional data | Torque (nominal torque) | Min. 2 Nm @ nominal voltage | |
| | Direction of rotation | See «Type overview» | |
| | Manual override | Gear disengagement with magnet | |
| | Angle of rotation | Without limit | Endless |
| | | With limit | Fixed 315°↔ or 0 ... 287.5°↔ with mechanical end stops, can be adjusted in 2.5°↔ increments |
| | Running time | 75 s / 90°↔ | |
| | Sound power level | Max. 35 dB (A) | |
| | Damper rotation | Form-fit 8 mm | |
| | Position indicator | Mechanical, pluggable (with integrated magnet for gear disengagement) | |
| | Safety | Protection class | II totally insulated <input type="checkbox"/> |
| Degree of protection | | IP54 in any mounting position | |
| | | NEMA2, UL Enclosure Type 2 | |
| EMC | | CE according to 2004/108/EC | |
| Low voltage directive | | CE according to 2006/95/EC | |
| Certification | | cULus according to UL 60730-1A and UL 60730-2-14 and CAN/CSA E60730-1:02 | |
| | | Certified to IEC/EN 60730-1 and IEC/EN 60730-2-14 | |
| Mode of operation | | Type 1 (EN 60730-1) | |
| Rated impulse voltage | | 2.5 kV (EN 60730-1) | |
| Control pollution degree | | 3 (EN 60730-1) | |
| Ambient temperature | -30 ... +50 °C | | |
| Non-operating temperature | -40 ... +80 °C | | |
| Ambient humidity | 95% r.H., non-condensating (EN 60730-1) | | |
| Maintenance | Maintenance-free | | |
| Dimensions / Weight | Dimensions | See «Dimensions» on page 2 | |
| | Weight | Approx. 185 g | |

Safety notes



- The actuator is not allowed to be used outside the specified field of application, especially in aircraft or any other form of air transport.
- Caution: Power supply voltage !
- Assembly must be carried out by trained personnel. Any legal regulations or regulations issued by authorities must be observed during assembly.
- The device may only be opened at the manufacturer's site. It does not contain any parts that can be replaced or repaired by the user.

Safety notes

(Continue)

- When calculating the required torque, the specifications supplied by the damper manufacturers (cross section, design, installation site), and the air flow conditions must be observed.
- The device contains electrical and electronic components and is not allowed to be disposed of as household refuse. All locally valid regulations and requirements must be observed.

Product features

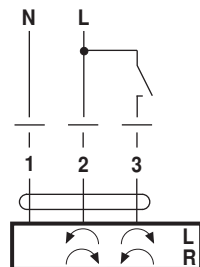
- Simple direct mounting** The hollow spindle of the actuator is mounted directly on the damper spindle (□ 8 mm) with a positive-fit connection. The actuator is then secured with the anti-rotation strap supplied, to prevent it from rotating.
- Manual override** Manual override with magnet possible (the gear is disengaged as long as the magnet adheres to the symbol ⊕). The magnet for gear disengagement is integrated in the position indicator.
- Adjustable angle of rotation** Adjustable angle of rotation with mechanical end stops.
- High functional reliability** The actuator is overload-proof, requires no limit switches and automatically stops when the end stop is reached.

Electrical installation

Wiring diagram

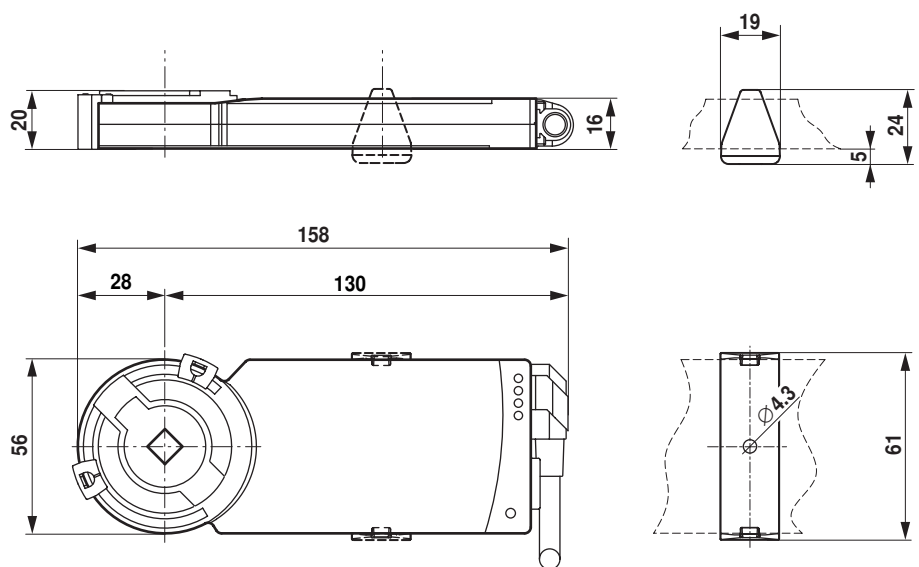
Notes

- Caution: Power supply voltage !
- Other actuators CM230-1-F-.. can be connected in parallel. Please note the performance data.



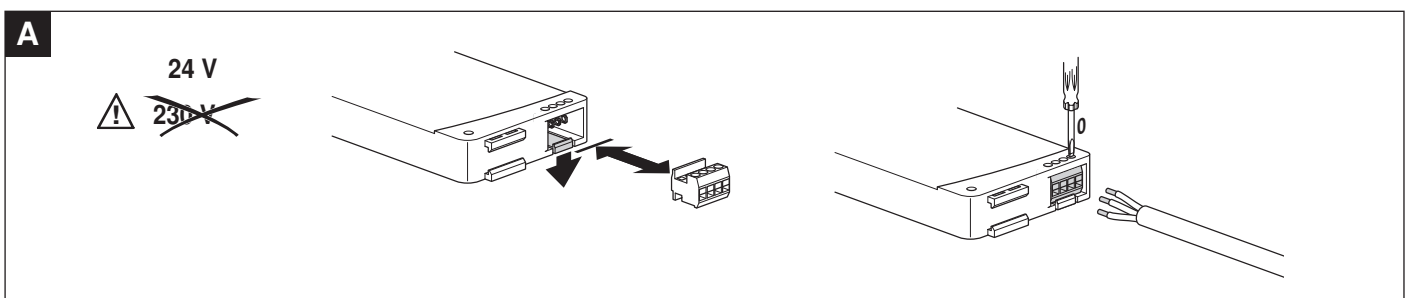
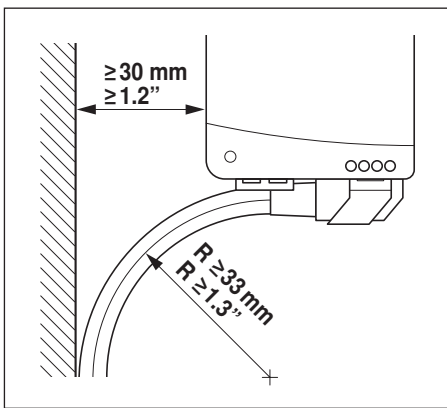
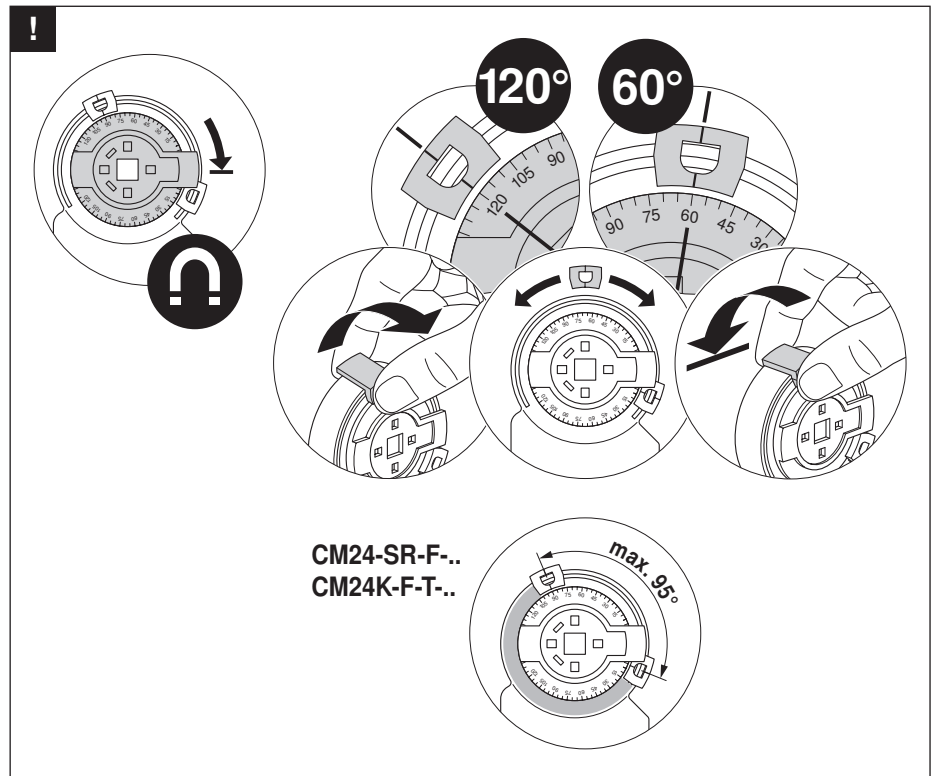
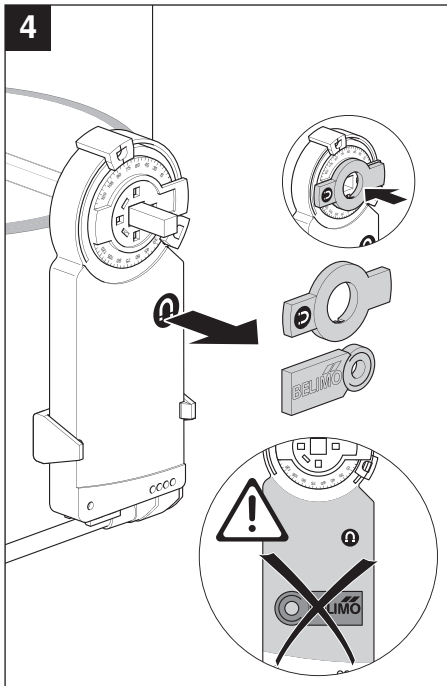
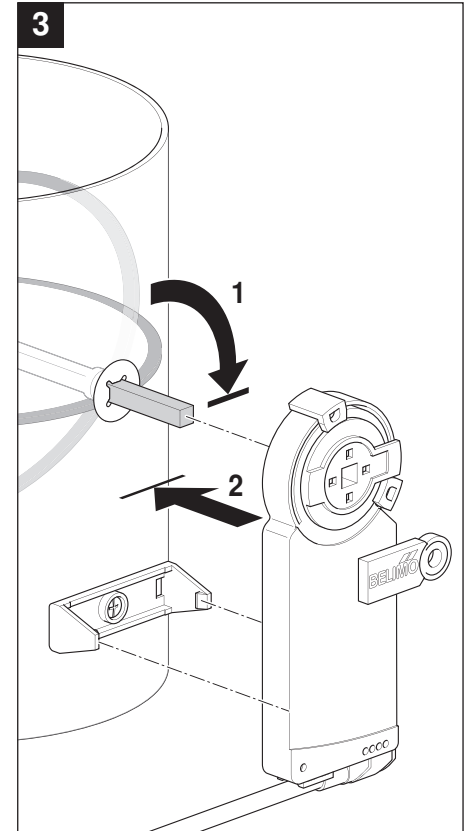
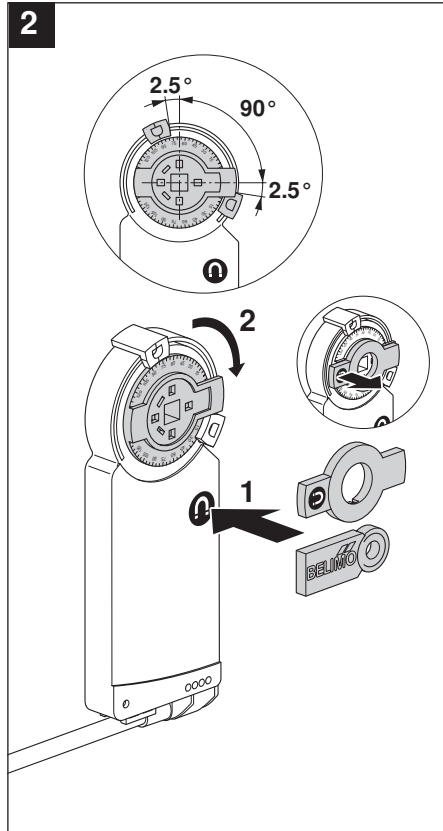
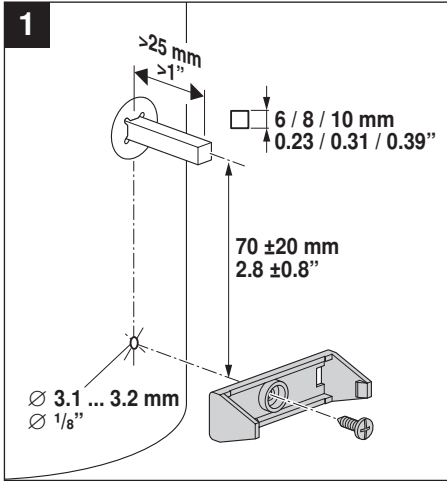
Dimensions [mm]

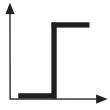
Dimensional drawings



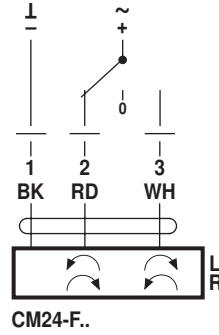
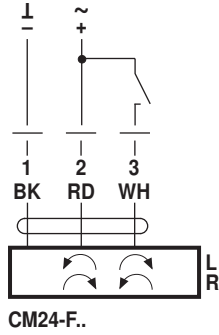
| Damper spindle | Length | □ I |
|----------------|--------|-----|
| | ≥25 | 8 |

70670-00001.E

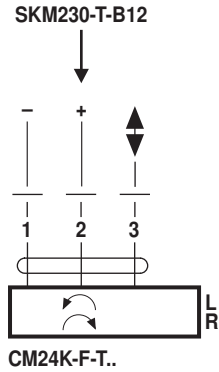




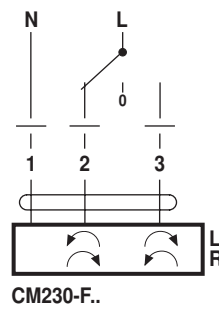
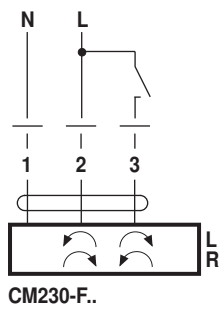
AC 24 V / DC 24 V



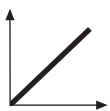
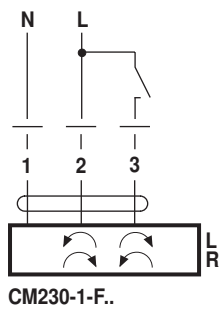
DC 24 V
(SKM230..)



AC 100 ... 240 V ⚠



AC 230 V ⚠



AC 24 V / DC 24 V

