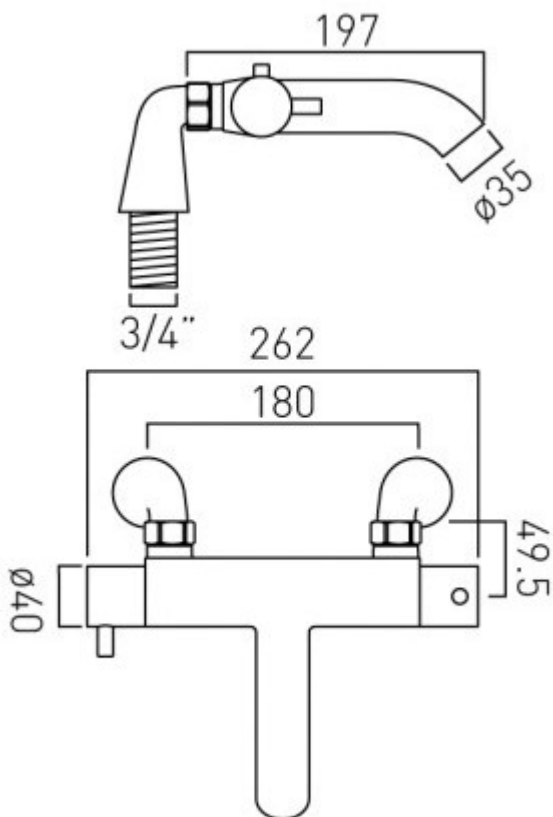




technical drawing



description:

2 hole thermostatic bath filler
deck mounted
with water flow straightener
thermostatic cartridge V-001C-PLA
3/4" x 50mm threaded connection on legs
deck mount drill hole diameter 28mm

finishes:

chrome

minimum operating pressure: 1.0 bar MP

guarantee:

12 year guarantee

VADO wedmore road cheddar somerset england bs27 3eb

tel 01934 744466 fax 01934 744345 sales@vado-uk.com www.vado-uk.com