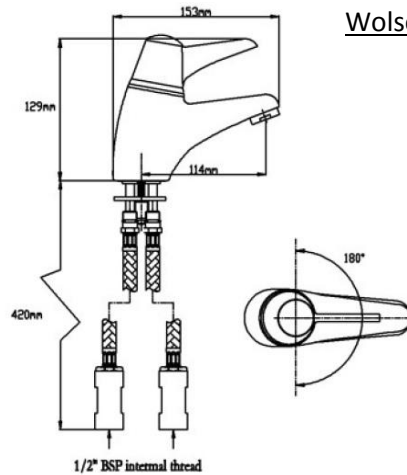


DATA SHEET: Bulldog Thermostatic Mono Basin Mixer

Combined TMV3 and TMV2 Thermostatic Mono Basin Mixer

Bulldog Thermostatic Mono Basin Mixer



Wolseley Code: C85083

Product Overview

Description	Bulldog Thermostatic Basin Mixer
Minimum Operating Pressure (bar)	0.1 bar
Maximum Cold Working Pressure (bar)	10.0 bar at temperatures up to 85oC
Maximum Hot Working Pressure (bar)	Not Suitable for Maximum Hot Working Pressure

Care

Thermostatic mixing valves are temperature sensitive devices and must not be subjected to extreme hot or cold temperatures, either in use or in installation.

Maintenance

After initial installation and commissioning in service tests are required on an annual basis or when system changes indicate a more frequent level of attention. As this product is a safety critical product it is advisable to use the services of qualified plumbing or heating installer.

If your product is under warranty please contact the Service Support Team on: 0800 1560050

Regulations

It is important to ensure that the water supplies to your taps and mixers are connected in accordance with the water regulations (WRAS) requirements and good plumbing practice.

It is Pegler's recommendation and good plumbing practice that the supplies of hot and cold water to the mixer should be at equal (balanced) pressures in order to provide a consistent flow. Supplies should be from a common source, either mains or tank fed. If supplies are not equal pressures then non return valves should be fitted.

