

## Sandringham 21 Bath Shower Mixer 2 Hole Shower Set

### Illustrated

**B9871** Sandringham 21 bath shower 2 hole mixer with shower set

### Configuration options

**B9908** Sandringham 21 handspray holder

**B9909** Sandringham 21 shower hose retaining bracket

### Material

Chrome Plated Brass

### Weights

B9871 2.98KG

### Colours

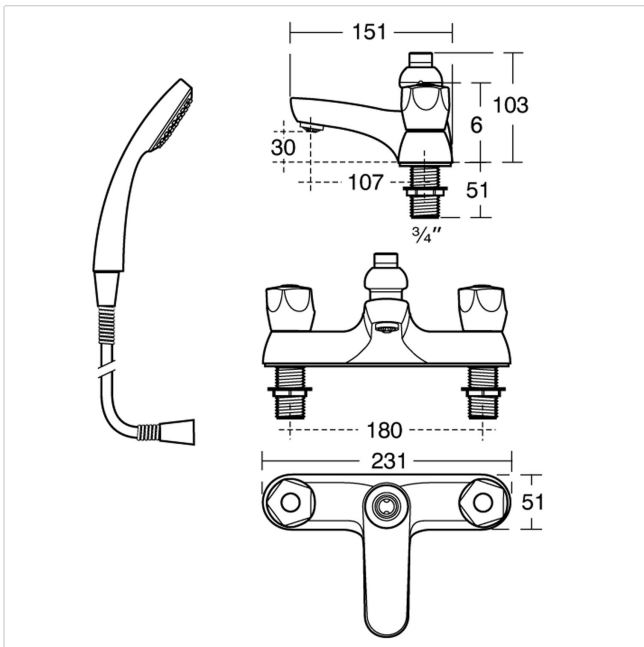
Chromium plated (AA)

### Flow rates

15 Litres per minute @ 3 bar pressure

### Special Notes

Suitable for balanced high or low pressure supplies. Inlets 3/4in BSP male coned for copper. Pillar taps come supplied with brass back nuts. Consideration should be given to safe hot water delivery and the use of an appropriate temperature reduction device see S7436AA. Shower water saving can be achieved by use of a flow regulator. Unregulated flow rate 21 litres per minute at 0.1 bar.



### Frequently used applications

General Healthcare

Hotels

Residential

### Accreditations

WRAS

*Armitage  
Shanks*

Tel: 0870 122 8822  
Fax: 0870 122 8282  
Email: [info@idealspec.co.uk](mailto:info@idealspec.co.uk)  
Web: [www.idealspec.co.uk](http://www.idealspec.co.uk)

Ideal Standard (UK) Ltd. makes every effort to ensure that the information provided on its website is accurate. However, we cannot guarantee this, and accept no liability for any information or advice given via its website.

Powered by  
**Ideal**Spec

Date created: 27/02/2015