

Sandringham 21 Washbasin Pillar Taps

Illustrated

B9865 Sandringham 21 Washbasin Pillar Taps

Configuration options

Material

Chrome Plated Brass

Weights

B9865 1.05KG

Colours

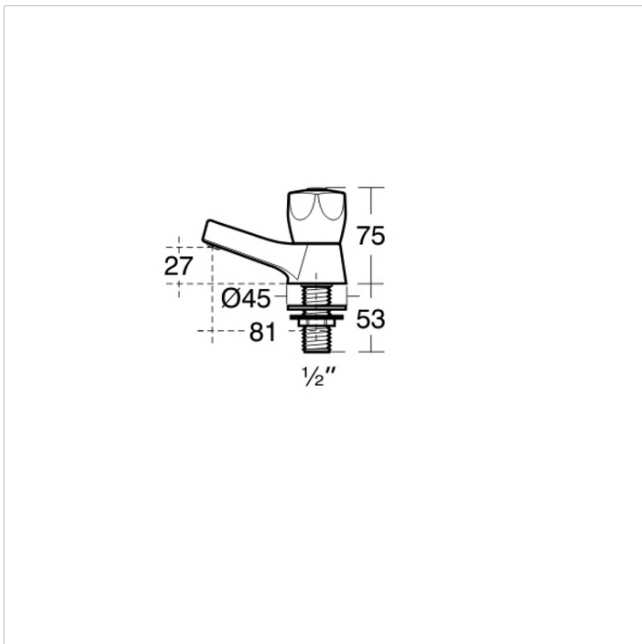
Chromium plated (AA)

Flow rates

13 Litres per minute @ 3 bar
pressure

Special Notes

Suitable for balanced/unbalanced supplies. Inlets screwed 1/2in BSP male, coned for copper. Consideration should be given to safe hot water delivery and the use of an appropriate temperature reduction device see S7435AA. Water saving can be achieved by use of a flow regulators such as L6935NU to deliver maximum of 4 Litres per minute. Unregulated flow rate 15 litres per minute at 0.1 bar.



Frequently used applications

Education	Factory
General Healthcare	Hotels
Office	Public Building
Pubs and Clubs	Residential
Retail	Social Housing
Sports and Leisure	Student Accommodation

Accreditations

WRAS
Water Label

*Armitage
Shanks*

Tel: 0870 122 8822
Fax: 0870 122 8282
Email: info@idealspec.co.uk
Web: www.idealspec.co.uk

Ideal Standard (UK) Ltd. makes every effort to ensure that the information provided on its website is accurate. However, we cannot guarantee this, and accept no liability for any information or advice given via its website.

Powered by
IdealSpec

Date created: 27/02/2015