



Tempo Dual Control Basin Mixer

Illustrated

B0727 Tempo dual control basin mixer

Configuration options

A5900 TMV Thermostatic mixing valve 15mm

Material

Chrome Plated

Weights

Colours

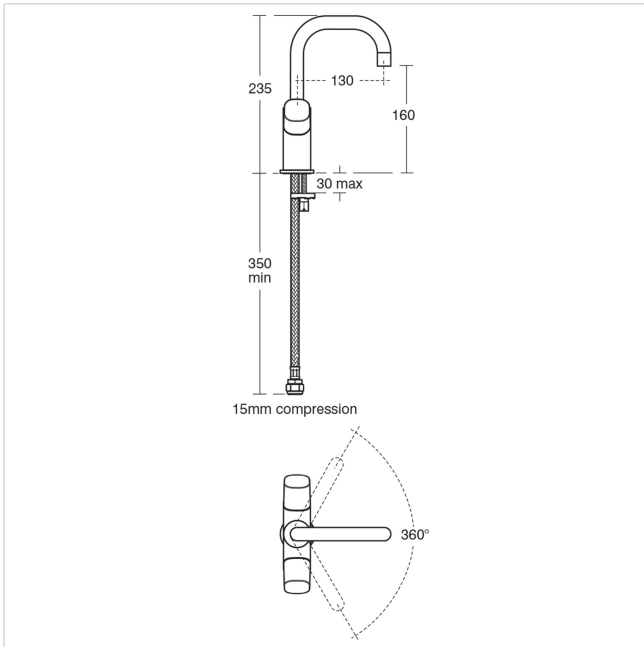
Chromium plated (AA)

Special Notes

Suitable for balanced or unbalanced supplies. Inlets with flexible tails and connections for 15mm copper tubes. Fitted with a 5 lpm outlet flow regulator. When installed in commercial applications a thermostatic blending valve such as A5900AA must be used.

Designer

Artefakt Industriekultur



Frequently used applications

Hotels

Public Building

Office

Residential

Accreditations

TMV3

TMV2



Tel: 0870 122 8822
Fax: 0870 122 8282
Email: info@idealspec.co.uk
Web: www.idealspec.co.uk

Ideal Standard (UK) Ltd. makes every effort to ensure that the information provided on its website is accurate. However, we cannot guarantee this, and accept no liability for any information or advice given via its website.



Date created:03/06/2014