



## Concept Blue Single Lever Sink Mixer

### Illustrated

**B0382** Concept Blue single lever sink mixer, cast spout

### Configuration options

#### Material

Chrome Plated Brass

#### Weights

B0382 2.80KG

#### Colours

Chromium plated (AA)

#### Flow rates

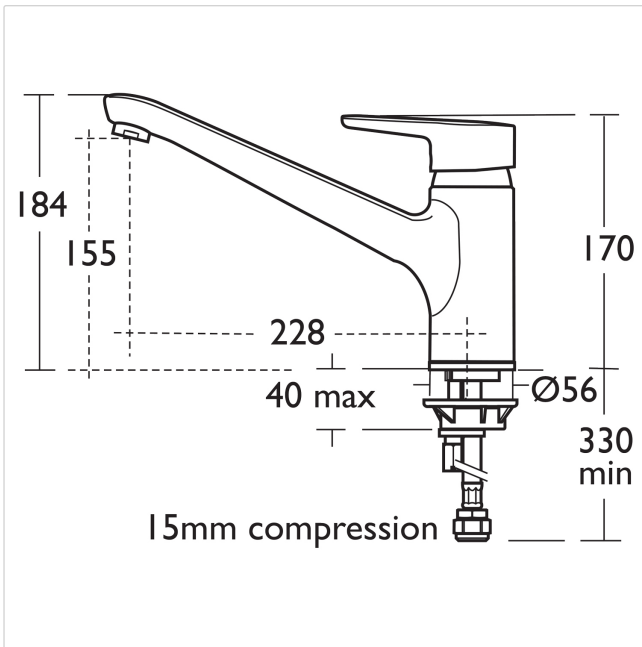
5 Litres per minute @ 3 bar pressure

#### Special Notes

Flow rate with fitted regulator 5 litres per minute Unregulated flow rate 5.5 litres per minute at 0.5 bar

#### Designer

Robin Levien, RDI



### Frequently used applications

Hotels  
Residential

Public Building

### Features

Special Care  
Water Saving

### Accreditations

Water Label



Tel: 0870 122 8822  
Fax: 0870 122 8282  
Email: [info@idealspec.co.uk](mailto:info@idealspec.co.uk)  
Web: [www.idealspec.co.uk](http://www.idealspec.co.uk)

Ideal Standard (UK) Ltd. makes every effort to ensure that the information provided on its website is accurate. However, we cannot guarantee this, and accept no liability for any information or advice given via its website.



Date created: 27/02/2015