

Maxistore

MAXISTORE - For Economy 7 Use.

Albion Maxistore copper cylinders make maximum use of low price tariff electricity for water heating. Larger cylinders allow more water to be heated at lower costs, and double foam insulation ensures that it stays hot until used, saving energy and reducing running costs.

All cylinders are Kitemarked and approved by the BSI for the further requirements of Maxistore. They are available in direct and indirect patterns and combination units. A baffle is fitted to the cold feed to minimise mixing of hot and cold water.

All Maxistore cylinders are fitted with two side entry immersion heater bosses to optimise performance by offering the facility to heat a smaller amount of water at normal tariff.



MAXISTORE - TECHNICAL SPECIFICATIONS

HEAT LOSS	
CAPACITY	MAXIMUM DAILY HEAT LOSS
120	2.4KWh
144	2.5KWh
210	2.7KWh

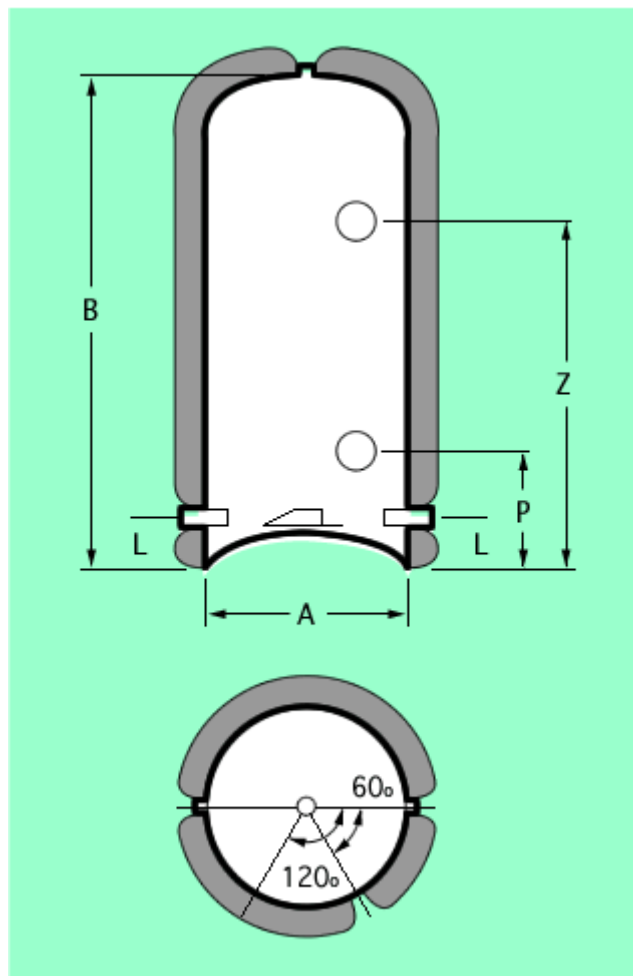
ecofoam plus

Other sizes of cylinder can be manufactured to this specification, please ask for Albion Ecofoam Plus - double thickness CFC free foam, two immersion heater bosses, baffle and anode.

CYLINDERS				
REF	DF35	DF40	DF50	DF60
HGT	1200	1425	1825	1800
DIA	400	400	400	450
CAP	159	182	227	273

The above are examples, other sizes are available.

MAXISTORE DIRECT STORAGE UNIT



MAXISTORE INDIRECT STORAGE UNIT

	BS7	BS8	BS9E
CAPACITY (ltrs)	120	144	210
DIMENSIONS			
A	450	450	450
B	900	1050	1500
L	100	100	100
P	150	150	150
Z	500	600	1100

INTERNAL THREAD SIZE			
SCREWED CONNECTIONS	G1	G1	G1
IMMERSION HEATER CONNECTIONS	G21/4	G21/4	G21/4

DIRECT COMBINATION UNITS			
CAPACITY		HEIGHT	DIAMETER
HOT	COLD		
120	40	1200	450
144	40	1400	450
210	40	1850	450

Refer to BS1566:2002 for grades and thickness of copper and other details of cylinder construction.

Immersion heater bosses can be handed 60 degrees from either side. Please specify when ordering.

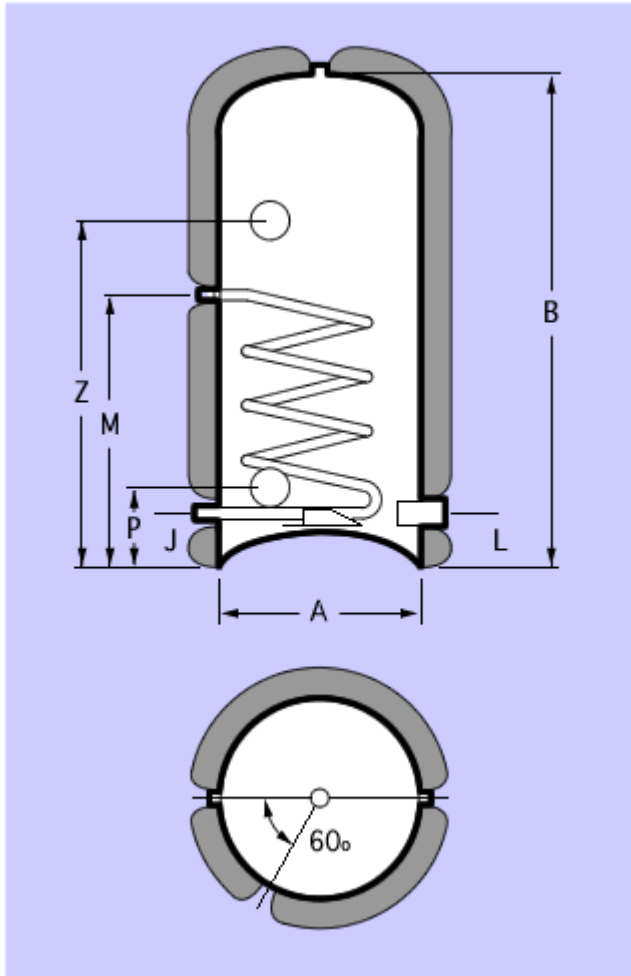
	BS7	BS8	BS9E
CAPACITY (ltrs)	117	140	206
DIMENSIONS			
A	450	450	450
B	900	1050	1500
L	100	100	100
P	150	150	150
Z	500	600	1100
J	100	100	100
M	650	545	695

INTERNAL THREAD SIZE			
SCREWED CONNECTIONS	G1	G1	G1
IMMERSION HEATER CONNECTIONS	G21/4	G21/4	G21/4

EXTERNAL THREAD SIZE			
HEATING COIL CONNECTIONS	G1B	G1B	G1B

INDIRECT COMBINATION UNITS			
CAPACITY		HEIGHT	DIAMETER
HOT	COLD		
117	40	1200	450
140	40	1400	450
206	40	1850	450

Refer to BS1566: 2002 for grades and thickness of copper and other details of cylinder



construction.

Immersion heater bosses can be handed 60 degrees from either side. Please specify when ordering.

© 2006 Albion Water Heaters. All Rights Reserved.



Visit Kingspan.com