

special care doc m urinals

Urinals accessible to wheelchair users and ambulant disabled.

Meets all Doc M Building Regulations

Turning space for wheelchair

Optional blue, grey, charcoal or stainless steel finish grab rails

special care

DocM and washroom



Illustrated

- S610301** Sandringham wall bowl urinal
 - S6265AA** Sandringham urinal back inlet spreader
 - S8770** 1½in chromium plated brass waste with stainless steel domed strainer
 - S8915** 1½in white plastic bottle trap, 75mm seal
 - S6454** 60cm grab rails (x3)
 - S6226NU** Concealed flushpipe for Sandringham urinal
 - S6215** Conceala 4.5 litre Auto cistern
- Colours**
For LRV and RAL numbers see page 18:3:0 Sanitaryware available in White only (01).
- Rails available**
White (AC)
Grey (LJ)
Blue (36)

Stainless steel finish (MY)
Charcoal (RN)

Standards

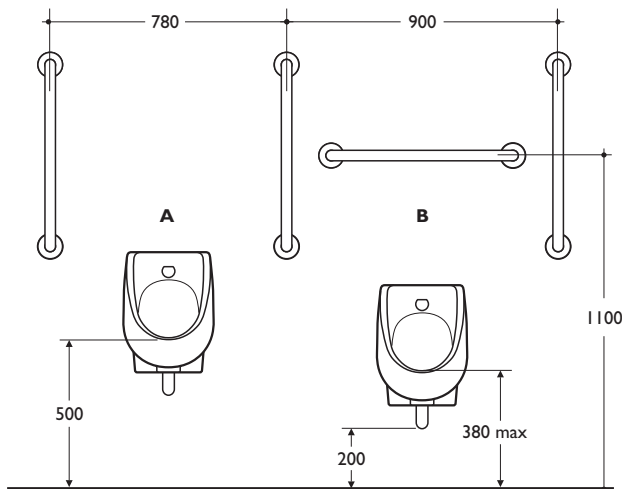
Layout conforms to BS8300:2001 and Document M of the Building Regulations

Options

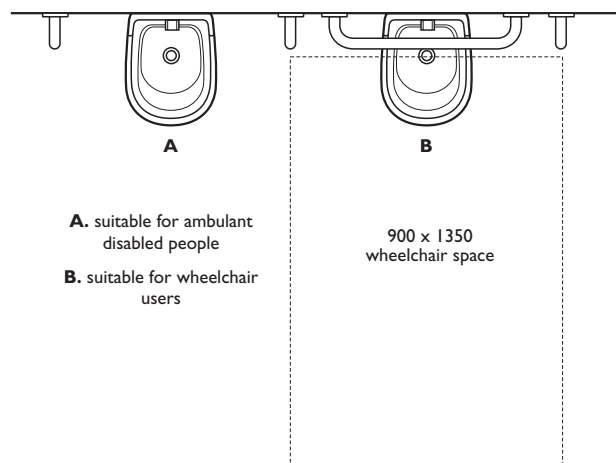
- S6266AA** Sandringham urinal top inlet spreader
- S6200** Mura 4.5 litre Auto cistern
- S6220MY** Exposed flushpipe for Sandringham urinal

Special notes

Wheelchair users may be able to pull themselves to a standing position to use a urinal, or they may be able to use a urinal from their wheelchair. The lower urinal position shown is also beneficial to a person of lower stature. Must be used in wheelchair accessible male washrooms



wall space kept free of pipework to 200 above floor unless urinal projects more than the minimum 360 from the wall



- A.** suitable for ambulant disabled people
- B.** suitable for wheelchair users

900 x 1350
wheelchair space

