

Customer/technical services

For any technical or installation queries please contact Vado on 01934 745163.

Guarantee

This product is guaranteed against manufacturing defects from the date of purchase until the expiry of the relevant guarantee period shown below.

The guarantee is only valid if:-

1. The product has been installed, used and maintained in accordance with Vado's instructions and subjected to normal use only.
2. The defect is not due to use of an unsuitable or inadequate water or power supply.
3. The defect is not due to accident, misuse, neglect or repair other than by Vado or Vado authorised agents or damage caused by foreign objects or substances.
4. We have received from you the completed Guarantee Registration Form. Vado accepts no responsibility for any forms lost in the post and returns by registered means is therefore recommended.

Under this guarantee (which is non-transferable) Vado will, at its option, repair or replace free of charge any product (or replacement part) found to be defective. The guarantee does not extend to any consequential loss or damage. After repair or replacement the relevant guarantee period will be calculated from the original date of purchase.

The relevant guarantee periods are:-

1. Twelve years on chrome finish products.
2. Six years on Vado Identity products.
3. Three years on all other products with the exception of Stuart Turner Pumps which carry a 2 year Guarantee on Monsoon Range and 1 Year Guarantee on Showermate Range.

All claims under the guarantee must be submitted in writing to the person who supplied the product to you and must be received no later than the last day of the relevant guarantee period. All claims must be accompanied by proof of purchase (sales receipt or delivery note).

Vado operates a policy of continuous product development and therefore reserves the right to change the product, packaging and documentation specifications without notice.

This guarantee is in addition to and does not affect your statutory rights as a consumer.

Vado

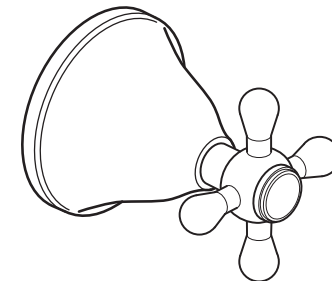
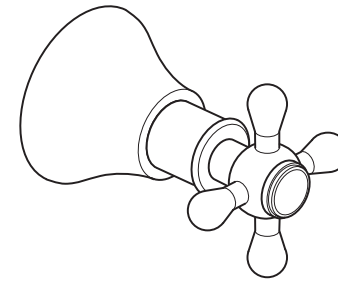
Wedmore Road, Cheddar, Somerset, England BS27 3EB
tel 01934 744466. fax 01934 744345
technical@vado-uk.com
www.vado-uk.com

GUARANTEE REGISTRATION

NAME				
ADDRESS				
	POSTCODE			
RETAILER				
ADDRESS				
	POSTCODE			
PURCHASE DATE	ARTICLE NUMBER	(SEE BOX)		
PRODUCT DESCRIPTION				
WHO INSTALLED THE PRODUCT?	RETAILER	PLUMBER	BUILDER	SELF
FOR VADO USE				



Installation & maintenance instructions



Victoriana & Kensington

Wall mounted concealed stop valves 1/2" and 3/4"

NOTE: For illustrative purposes only the Victoriana range is shown.
Please follow the same procedure to install the Kensington range

Please leave these instructions with the customer

Important - please read

Please read these instructions carefully before starting installation and keep for future reference.

Remove all packaging and check the product for missing parts or damage before starting installation.

Any alterations made to this product and fittings may infringe water regulations and will invalidate the guarantee.

The installation must comply with all Local/National Water Supply Authority Regulations/Byelaws and Building and Plumbing (UK:BS6700) Regulations.

We strongly recommend that you use a qualified and registered plumber.

General installation

Before making any inlet pipe connections, all supply pipes **MUST** be thoroughly flushed to remove debris. Failure to do so could result in damage or low flow from the mixer unit. Water Supply (Water Fittings) Regulations 1999 Schedule 2 Section 4 G13.1

The fitting of isolating valves to the inlet feeds is advised for ease of maintenance.

Please take great care when installing this mixer not to damage its surface.

Please note if installing in an enclosed environment, access should be left for servicing and maintenance. No costs relating to inadequate access can be accepted.

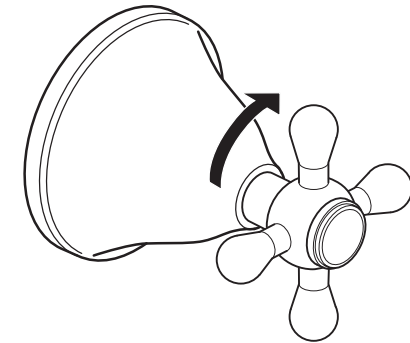
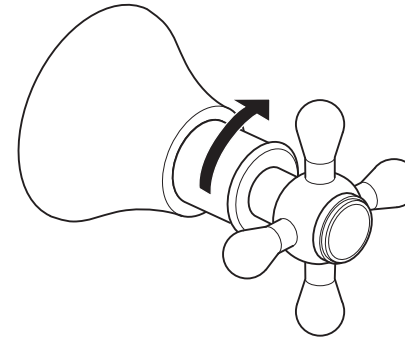
Care of the mixer

Our products are finished to the highest standard and due care needs to be taken to ensure their looks are retained.

We recommend cleaning all products with a soft damp cloth **ONLY** and advise strongly against the use of **ALL** cleaning products i.e. powders and liquids.

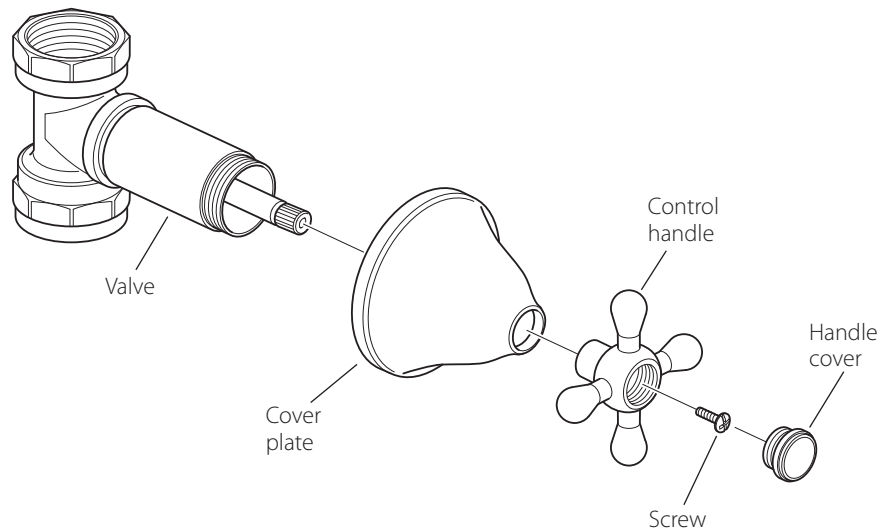
If the above instructions are not followed this will invalidate your guarantee in the event of a problem occurring.

Operation - ceramic disk version



Turning the control handle clockwise will increase the flow of water.

Installation - 3/4" stop valve



Before installing your new mixer, flush through the pipework to ensure removal of debris, turn off the water supply.

Note: The valve must be connected to rigid pipe work for support as there are no back nuts or fixing holes.

Mark the position of the valve and drill a 28mm hole.

Disassemble the valve as above, unscrew the handle cover and remove the screw, pull off the handle and unscrew cover.

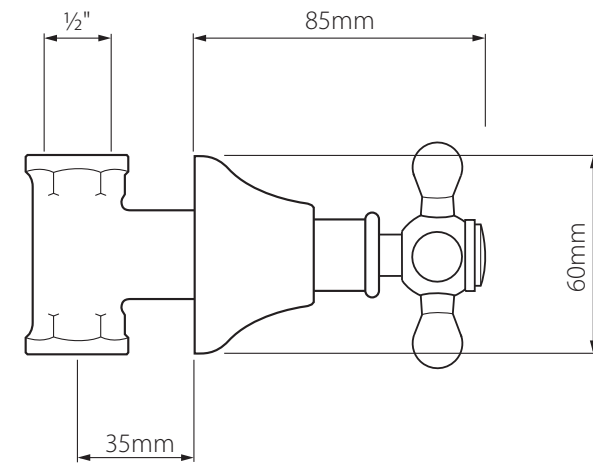
Slide the valve assembly through the hole from the back.

Screw the valve cover plate over the valve, slide the handle onto the splines and secure with the screw. Screw on the cover.

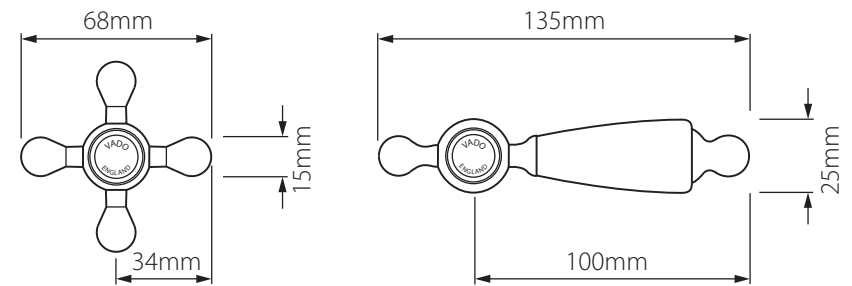
Connect the outlet (top).

Connect the water supply to the bottom inlet.

Dimensions - 1/2" stop valve



Victoriana wall mounted stop valve



Victoriana handles

Kensington handles

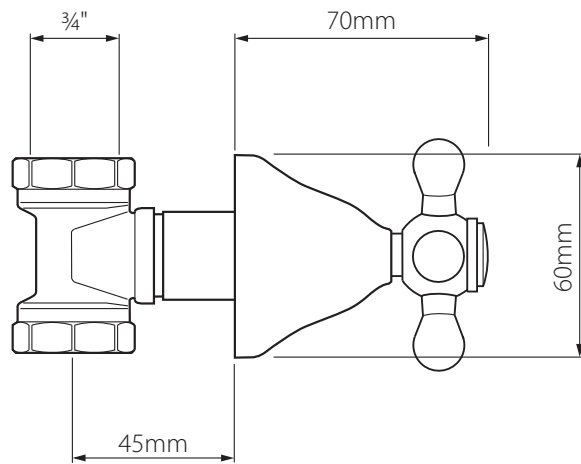
Operating Specifications

Operating Pressure:

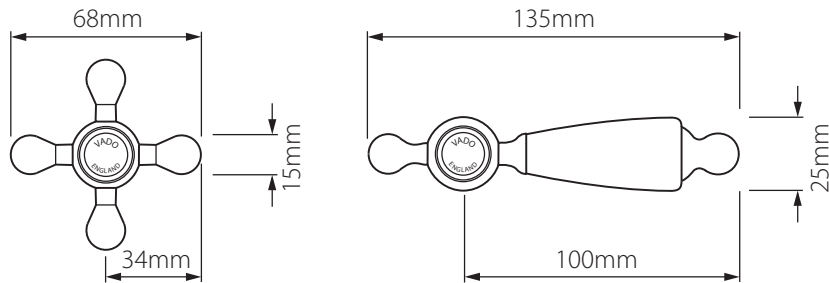
Minimum operating pressure 1 bar

Maximum operating pressure 5 bar

Dimensions - 3/4" stop valve



Victoriana wall mounted stop valve



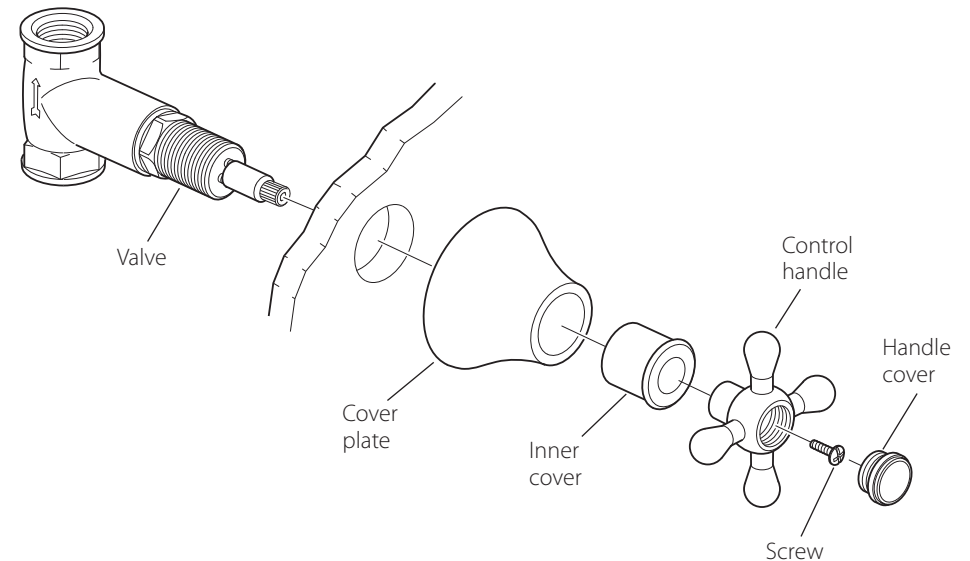
Victoriana handles

Kensington handles

Operating Specifications

Operating Pressure:
 Minimum operating pressure 0.2 bar
 Maximum operating pressure 5 bar

Installation - 1/2" stop valve



Before installing your new mixer, flush through the pipework to ensure removal of debris, turn off the water supply.

Note: The valve must be connected to rigid pipe work for support as there are no back nuts or fixing holes.

Mark the position of the valve and drill a 28mm hole.

Disassemble the valve as above, unscrew the handle cover and remove the screw, pull off the handle and unscrew both covers.

Slide the valve assembly through the hole from the back.

Screw the valve cover over the valve, screw on the inner cover, slide the handle onto the splines and secure with the screw. Screw on the cover.

Connect the outlet (top).

Connect the water supply to the bottom inlet.