



3000 Series Seats Installation instructions

Colour: White to RAL 9016 / Grey to RAL 7035

Internal Building use only



ALWAYS read the installation instructions before installing this product.

NEVER exceed the weight capacity of 40 stone/ 560lb/ 254 Kg.



ALWAYS read the end user care instructions.



ALWAYS use hole reducers if cushions not used.

ALWAYS have the seats installed by a trained and experienced installer.



NEVER stand on the shower seat.

These actions may reduce the strength of the shower seat and will invalidate any warranty or weight capacity stated.



BEWARE A pinch hazard may be present during the closing of this product up towards the wall.



DO NOT place matches or cigarettes on or near this product.

The following plastic materials are used in this product:
Polypropylene(PP), Nylon (PA),
Thermoplastic Rubber (TPR)
High Density Polyethylene (HDPE)
Polyurethane Foam (PU)

No natural Rubber or Latex used in this product

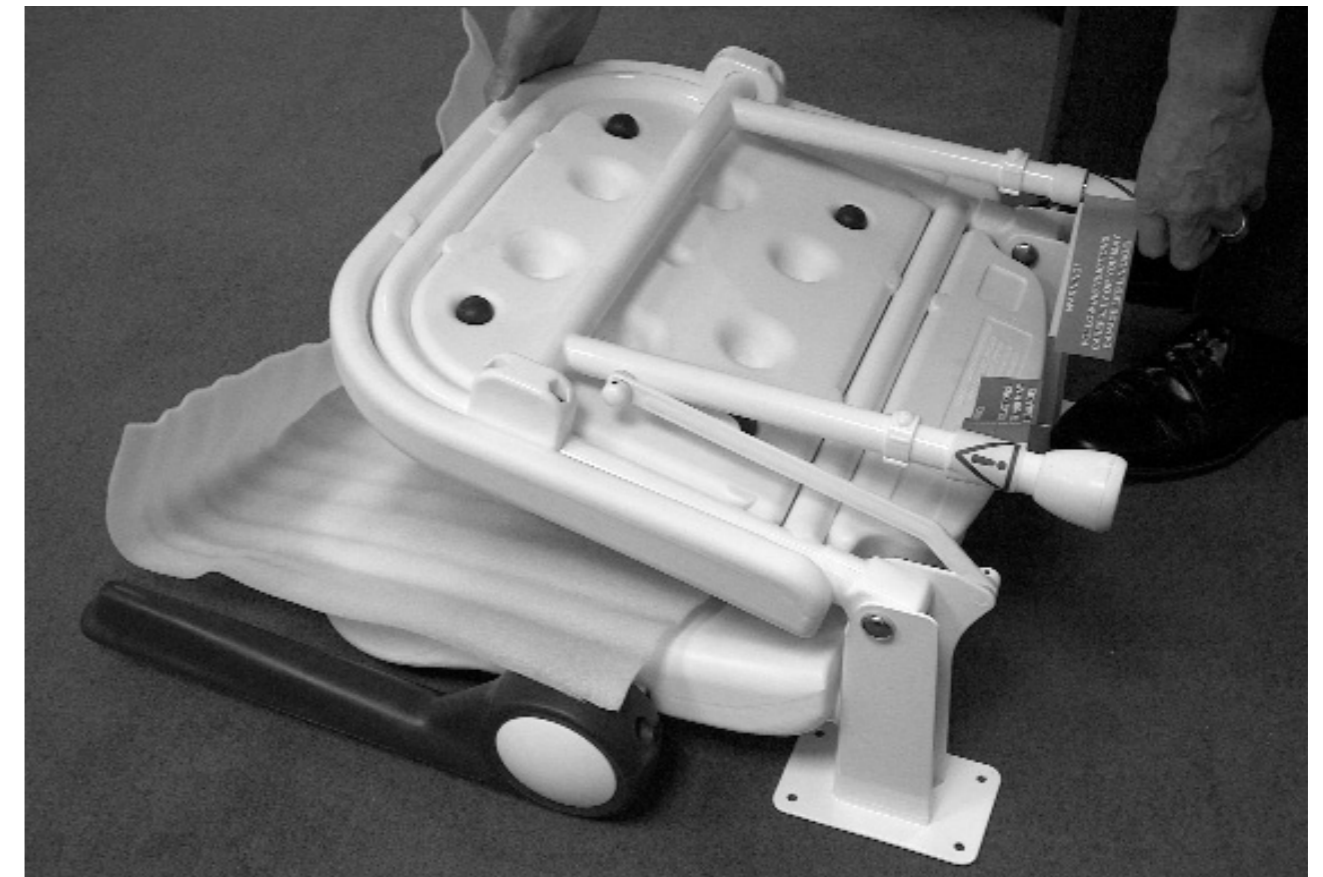
NOTE: 3000 series seats are manufactured from mild steel which is treated for rust resistance and Polyester Epoxy resin powder coated - Tested to ASTM B117-87 96 hour salt spray test. A warranty against rust is provided by 4000 series seats only.

The measurements throughout these installation and user care instructions have been converted from metric to its equivalent in imperial, therefore all dimensions are approximate and subject to manufacturing tolerances. AKW MediCare does not make any warranty, expressed or implied, or accept any liability in connection with this information or its use. This information is furnished upon the condition that the person receiving it shall make his/her own tests to determine the suitability thereof for his/her particular purpose.

For further details on this and other AKW products please contact your distributor - see details on outer packaging

Safe Handling During Installation

To avoid the risk of damage to the seat during installation follow these wise precautions



- Always hold the seat and legs as shown in the picture above if opening the seat when inverted.
- Never force the legs apart or open the seat by only lifting the legs.
- Refer to the fitting guidance for size and location of the fixings required.
- After installation check that all 4 of the push-on stainless-steel caps at the wall brackets and 2 plastic pivot caps on the leg linkage are firmly in place.

The AKW 3000 series of shower seats has been independently tested to 25,000 operations of the leg/seat mechanism.



The AKW 3000 series shower seats conform to the requirements of the EU Council directive 93/42/EEC for a class 1 non-invasive transient use device, using the following harmonized European standards in the confirming assessment: BS EN 12182:1999, BS EN 12727:2000

Installer: Please ensure that this information is left with the end user of this product.

03070/P

installation notes and dimensions

When placed on the floor, the legs are locked down by the mechanism.

Lift the seat base and legs up together.

This seat must be attached to a vertical surface using suitable fixings appropriate to the type of surface and loading conditions to be applied.

Adjust support legs ensuring that both legs sit down firmly on the floor when placed in the down position.

Stainless steel fixings are recommended.

Make sure all fixing holes are used and all plastic washers are in place.

Take care not to damage the painted surface.

Do not add countersinks or make any holes larger. This can reduce the strength of the frame and invalidate any warranty or weight capacity stated.

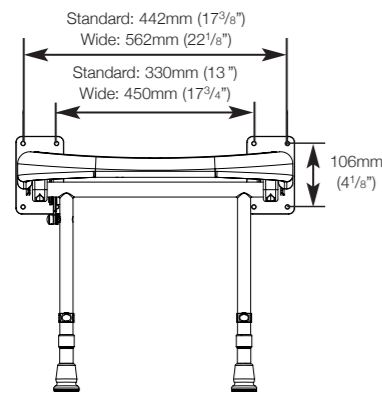
Install the seat.

Once installed check that the push-on stainless steel caps and plastic pivot caps are firmly in place.

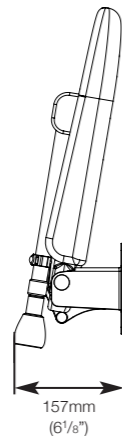
You should consult a fixing manufacturer if you are unsure of which type of fixing to use, stating the type and construction of the vertical surface and the version of seat product.

We are unable to specify the type of fixing to be used due to the vast number of possible types and conditions of vertical surfaces to which the shower seat can be attached.

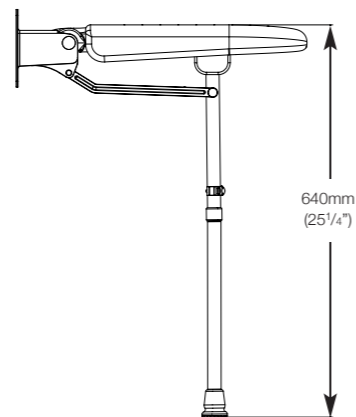
Mounting Hole Dimensions



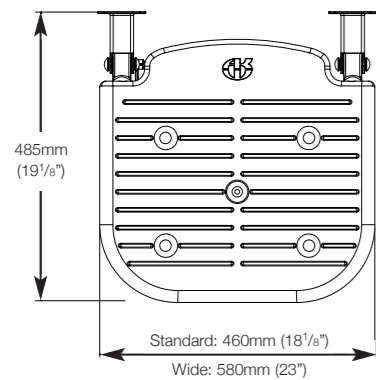
Folded Dimensions



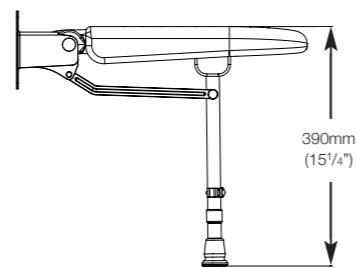
Maximum Height Dimensions



Seat Dimensions (Cushion not shown)



Minimum Height Dimensions



03130/P

installation notes and dimensions

Lay the seat on its back on the floor.

When placed on the floor, the legs are locked down by the mechanism.

Lift the seat base and legs up together away from the back.

Remove the seat back by standing over the seat and pulling the seat back free from the base.

This seat must be attached to a vertical surface using suitable fixings appropriate to the type of surface and loading conditions to be applied.

Adjust support legs ensuring that both legs sit down firmly on the floor when placed in the down position.

Stainless steel fixings are recommended.

Make sure all fixing holes are used and all plastic washers are in place, including those behind the seat back.

Take care not to damage the painted surface.

Do not add countersinks or make any holes larger. This can reduce the strength of the frame and invalidate any warranty or weight capacity stated.

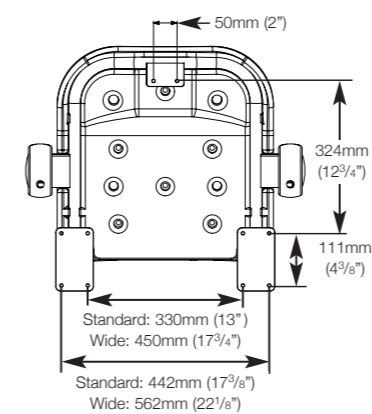
Install the seat and re-fit the back.

Once installed check that the push-on stainless steel caps and plastic pivot caps are firmly in place.

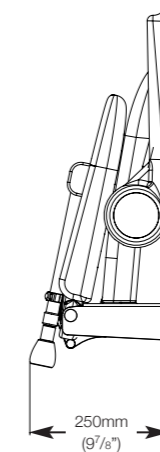
You should consult a fixing manufacturer if you are unsure of which type of fixing to use, stating the type and construction of the vertical surface and the version of seat product.

We are unable to specify the type of fixing to be used due to the vast number of possible types and conditions of vertical surfaces to which the shower seat can be attached.

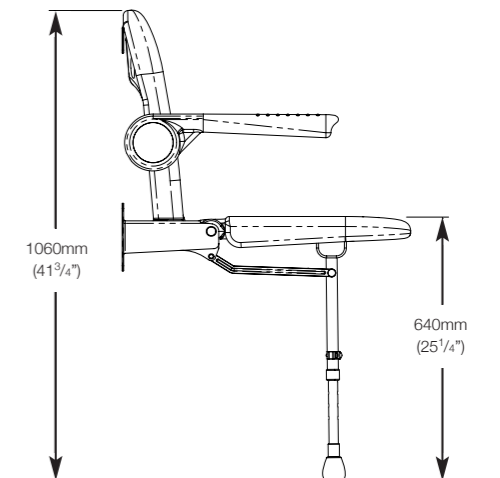
Mounting Hole Dimensions



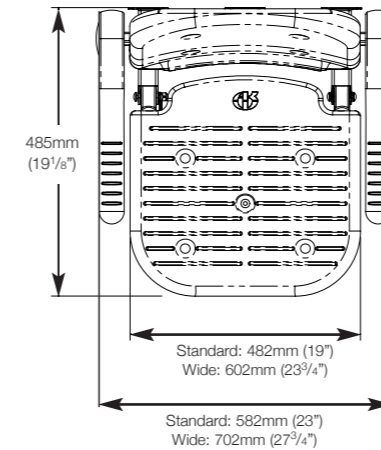
Folded Dimensions



Maximum Height Dimensions



Seat Dimensions (Cushion not shown)



Minimum Height Dimensions

