



Markwik 21 Pillar Mixer Thermostatic, Single Lever Sequential, Bioguard

Illustrated

A6063 Markwik 21 integral thermostat, pillar mixer, single lever sequential, single flow horizontal nozzle, 2 x 1/2" inlets at 200mm centres, Armitage Bioguard outlet fitted

Configuration options

S8239 Markwik sterilisation kit for S8243

A4556 Markwik purging tool (re-usable) for insulate versions

Weights

A6063 4.88KG

Colours

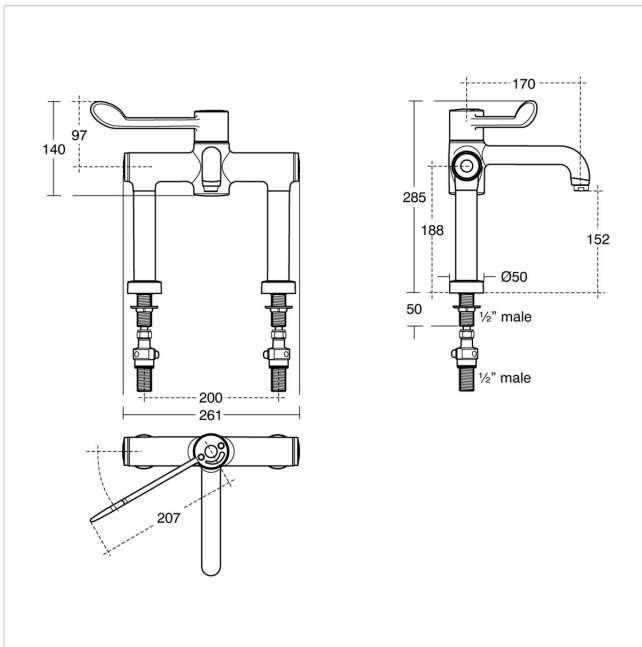
Chromium plated (AA)

Special Notes

This product is fitted with an Armitage Bioguard outlet which reduces the opportunity for bio film attachment and is lined with anti-microbial copper.

Single lever operates on/off and temperature control. Suitable for high and low pressure systems. Access for servicing to simplify D-08 auditing and servicing. Unique built-in sterilisation cleansing feature using Sterilisation kit S8239NU bridging hose which is reusable. Horizontal outlet eliminates water retention associated with 'Swan Neck' designs. Integral thermostat eliminates stagnant warm water trapped between an inline TMV* and the fittings under used cold feed. *Any existing TMV would need to be removed when replacing with our integral thermostat mixer. Especially suitable for use in conjunction with medium and large basins or sinks with tapholes at 200mm between centres. Purging kit A4556AA after installation allows debris to be flushed without affecting the thermostat and aids system disinfection.

Flow rate regulated to maximum of 10 Litres per minute.



Frequently used applications

General Healthcare

Hospitals

*Armitage
Shanks*

Tel: 0870 122 8822
Fax: 0870 122 8282
Email: info@idealspec.co.uk
Web: www.idealspec.co.uk

Ideal Standard (UK) Ltd. makes every effort to ensure that the information provided on its website is accurate. However, we cannot guarantee this, and accept no liability for any information or advice given via its website.

Powered by
IdealSpec

Date created: 18/02/2014