



Markwik 21 Bib Mixer Thermostatic, Single Lever Sequential, Bioguard

Illustrated

A6060 (TB-H2A) Markwik 21 integral thermostat, single sequential lever bib mixer, single flow horizontal outlet, 2 x 1/2" inlets at 200mm centres, Armitage Bioguard outlet fitted

Configuration options

Material

Chrome Plated Metal

Weights

A6060 4.00KG

Colours

Chromium plated (AA)

Standards

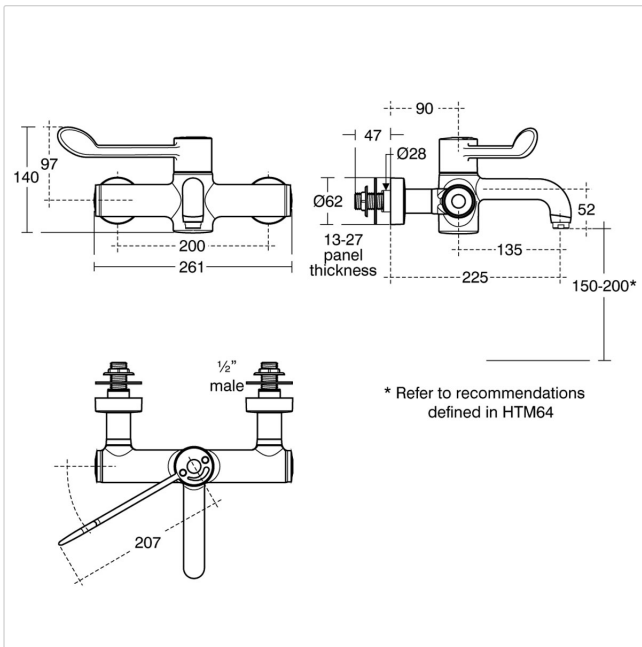
Conforms to HTM64 (2006), HTM04, HFN30

Special Notes

This product is fitted with an Armitage Bioguard outlet which reduces the opportunity for bio film attachment and is lined with anti-microbial copper.

Single lever operates on/off and temperature control. Suitable for high and low pressure systems. Unique built-in thermal disinfection cleansing feature using kit S8239NU a bridging hose which is reusable. A purging tool A4556AA is also available to facilitate initial installation or aid in system disinfection.

* Line drawings shows recommended height over vessel please allow for clearance to any upstands. Especially suited to medium and large hospital pattern integral back outlet basins and washing associated with clinical or nursing procedures



Frequently used applications

General Healthcare

Hospitals

Features

HTM

Accreditations

TMV3

WRAS

*Armitage
Shanks*

Tel: 0870 122 8822
Fax: 0870 122 8282
Email: info@idealspec.co.uk
Web: www.idealspec.co.uk

Ideal Standard (UK) Ltd. makes every effort to ensure that the information provided on its website is accurate. However, we cannot guarantee this, and accept no liability for any information or advice given via its website.

Powered by
IdealSpec

Date created:06/01/2014