



Idealrain Dual shower system

Illustrated

A5689 Idealrain Dual shower system with M1 rainshower, fixed riser, M3 handspray and diverter for built-in mixers

Configuration options

Material

Chrome Plated Brass

Weights

A5689 4.94KG

Colours

Chromium plated (AA)

Special Notes

Alternative version available for use with exposed shower mixers A5691AA

Designer

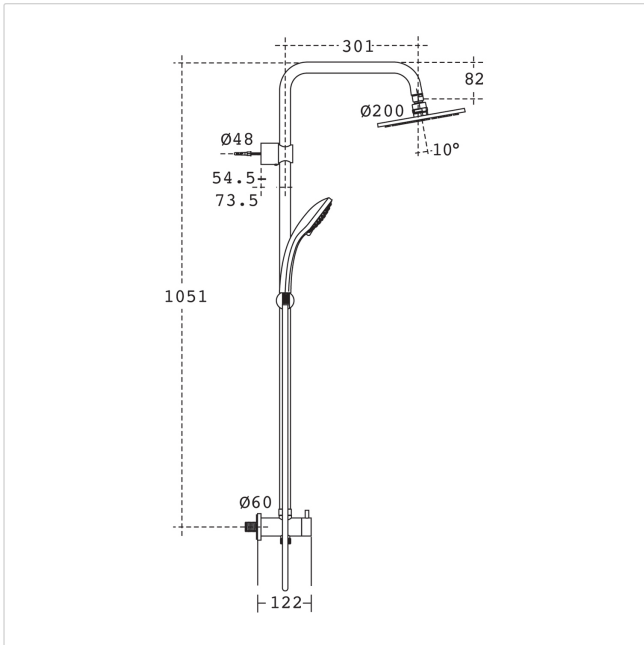
Artefakt Industriekultur

Frequently used applications

Hotels

Office

Residential



Tel: 0870 122 8822
Fax: 0870 122 8282
Email: info@idealspec.co.uk
Web: www.idealspec.co.uk

Ideal Standard (UK) Ltd. makes every effort to ensure that the information provided on its website is accurate. However, we cannot guarantee this, and accept no liability for any information or advice given via its website.



Date created: 27/02/2015