

brassware markwik 21 thermostatic - proximity sensor

Panel mounted bib mixer with integral thermostat, proximity sensor operation and single flow horizontal nozzle.

Designed for high and low pressure.

Insulated technology keeps the 'hot' side of the mixer at a safe surface temperature.

For use in medical and healthcare situations

Conforms to HTM64 (2006), HTM04, HFN30

Front access for D 08 auditing & servicing

Proximity sensor operation



Illustrated

A4554AA (TB H6)
Markwik 21, integral thermostat, bib mixer, proximity sensor, single flow horizontal outlet, 2x 1/2in inlets

Weight

3.0kg

Options

S8239NU Markwik, sterilisation kit
A4556AA Markwik, purging tool (re-usable) for insulate versions A4553, A4554 & A4555

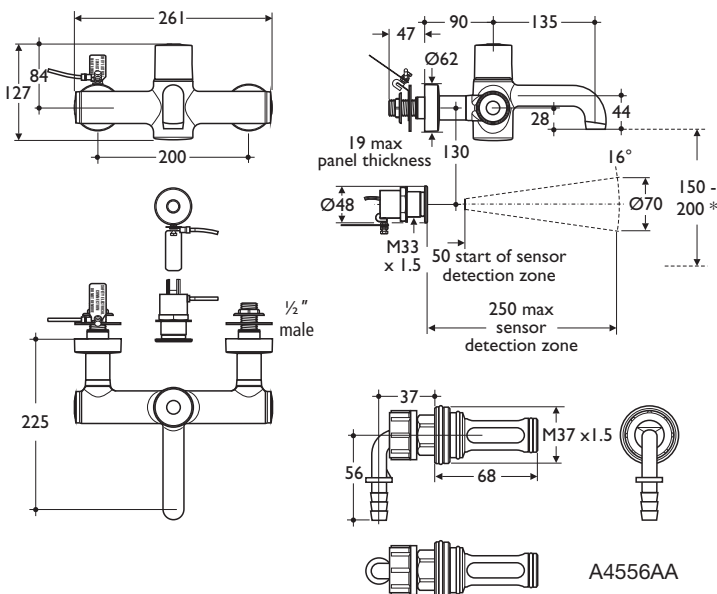
Special notes

Tap is activated by movement in the proximity of the sensor and stops immediately when both movement and proximity stop.

Unique built-in sterilisation cleansing feature, uses one additional Sterilisation kit S8239NU bridging hose. Maintenance can regularly flush through the whole of any number of taps with very hot water.

* Recommended height over vessel.

Especially suited to medium and large hospital pattern integral back outlet basins and washing associated with clinical or nursing procedures see page 19:1:11L and 19:1:16D for typical TB H6 use



contract

brassware

