

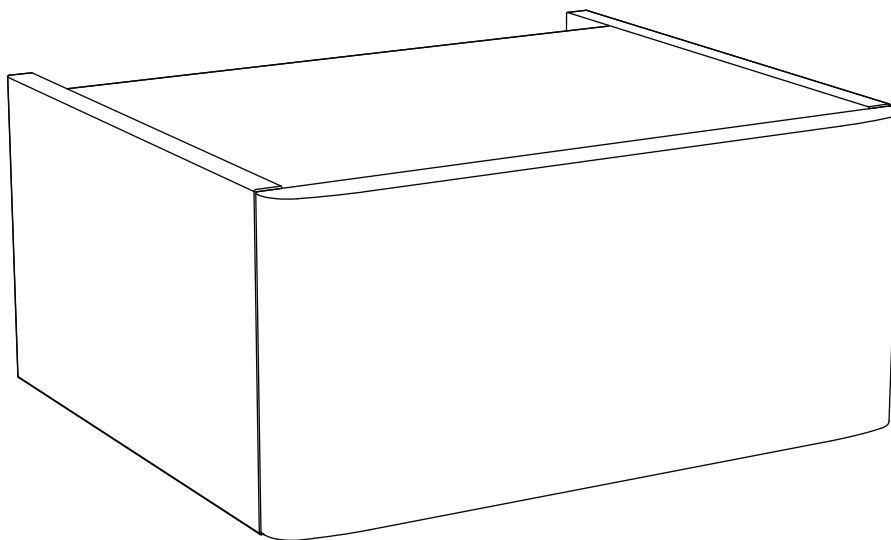
# Twyford

## E100

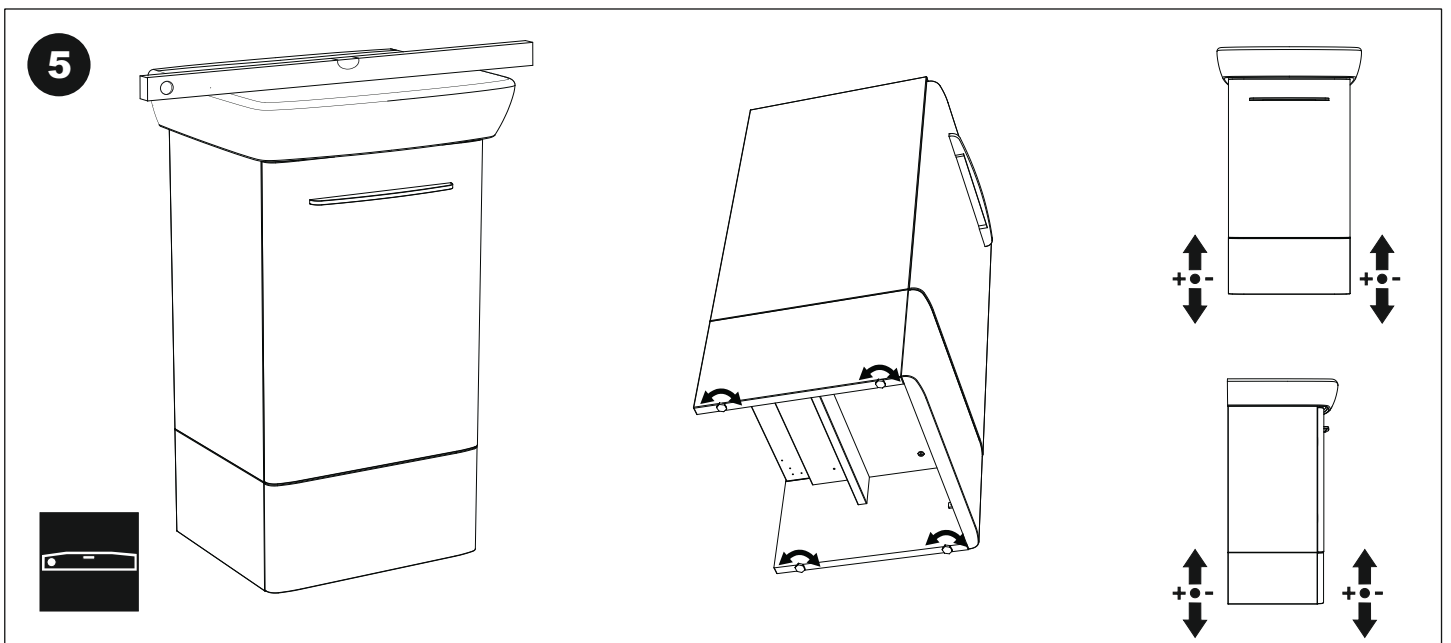
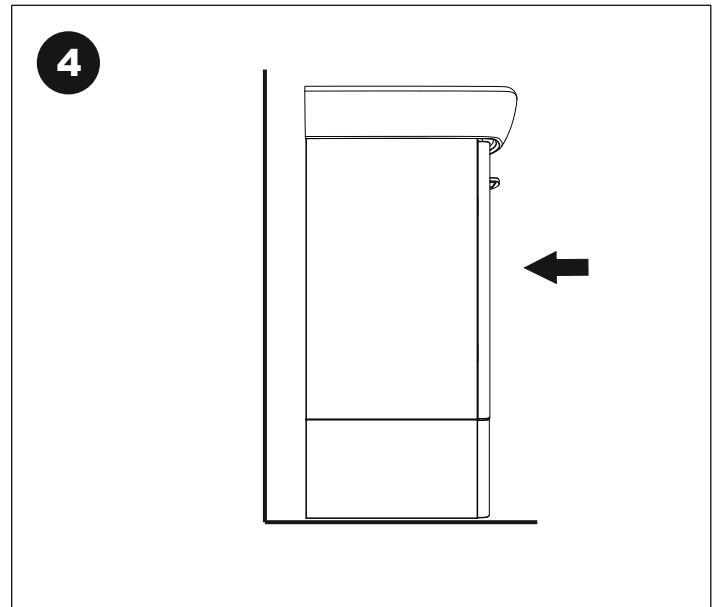
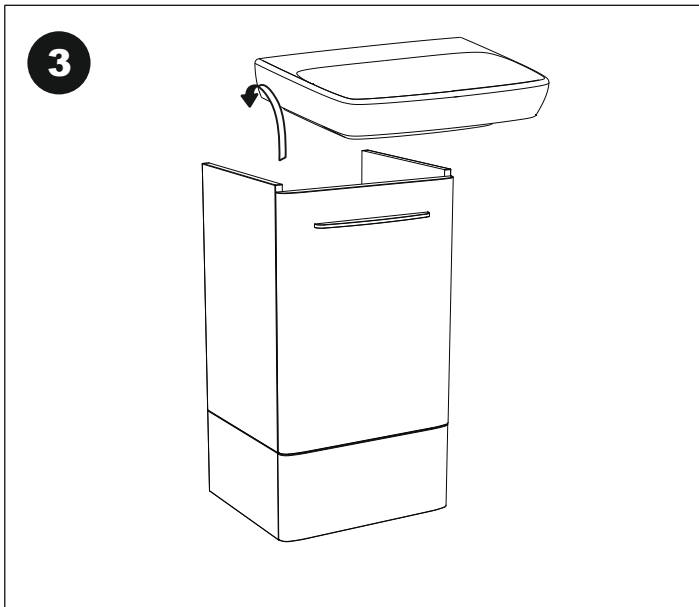
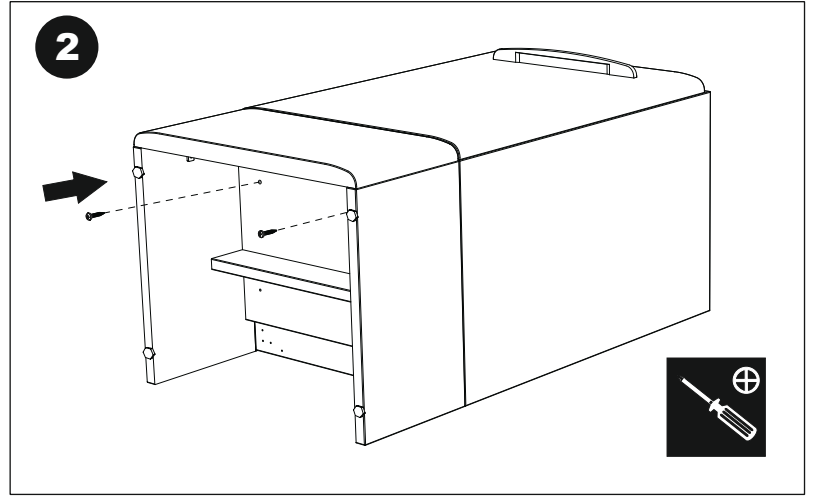
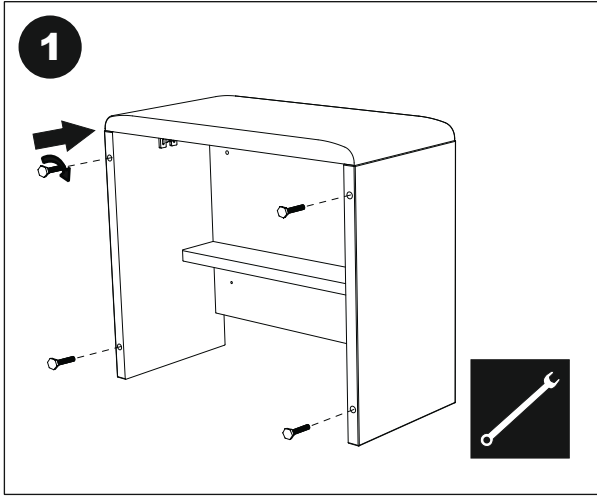
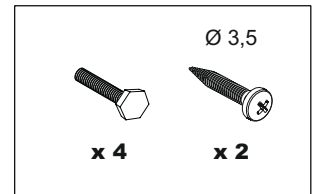
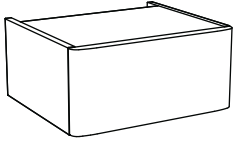


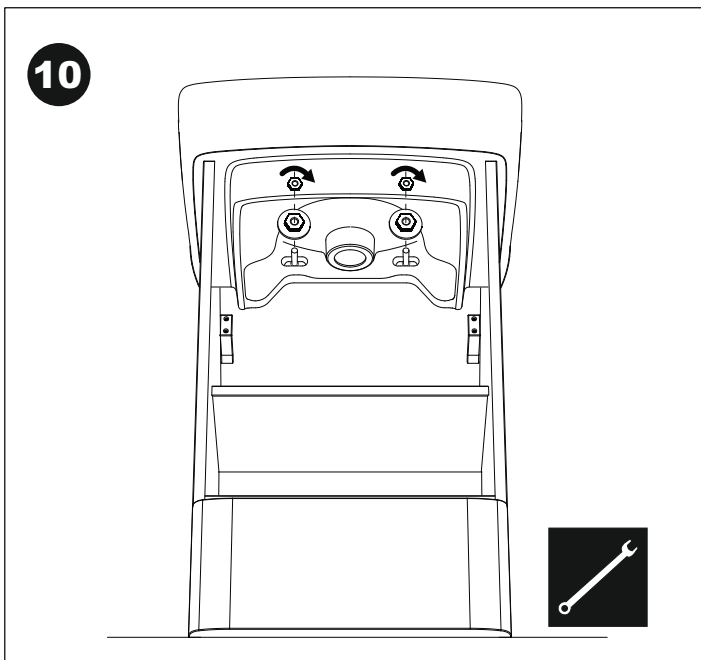
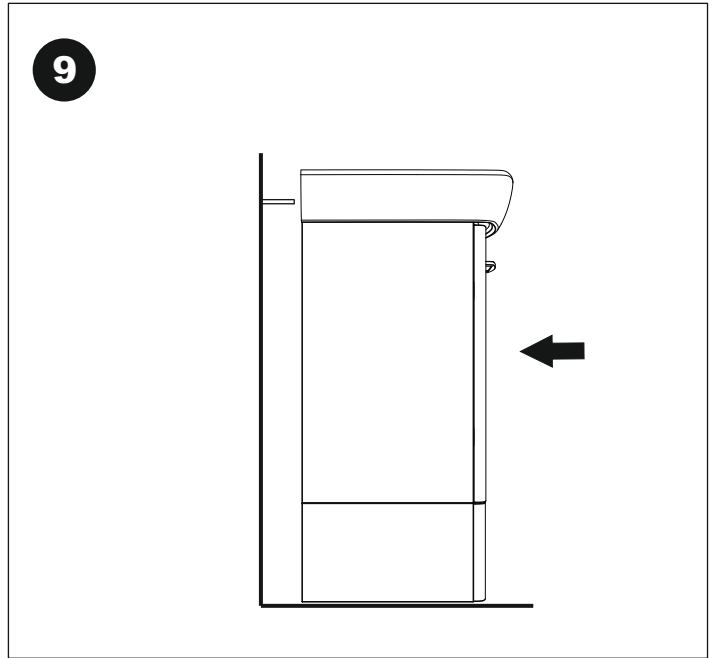
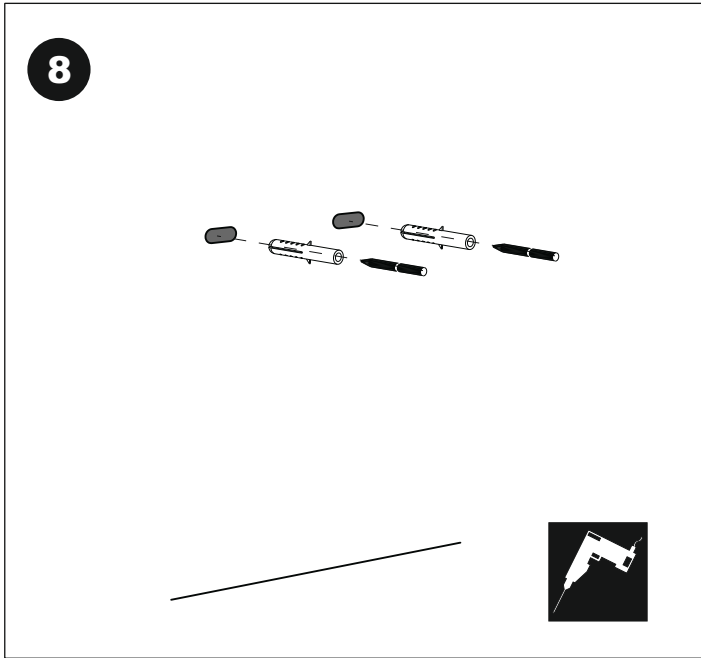
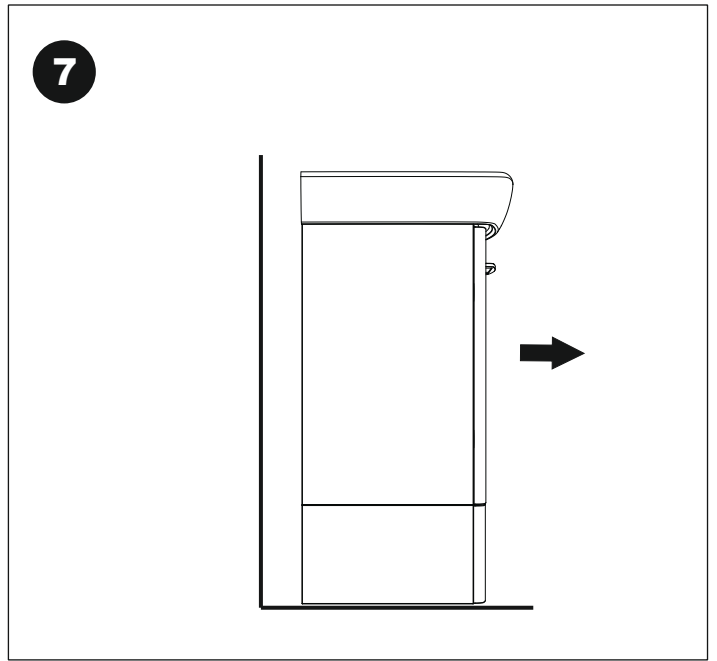
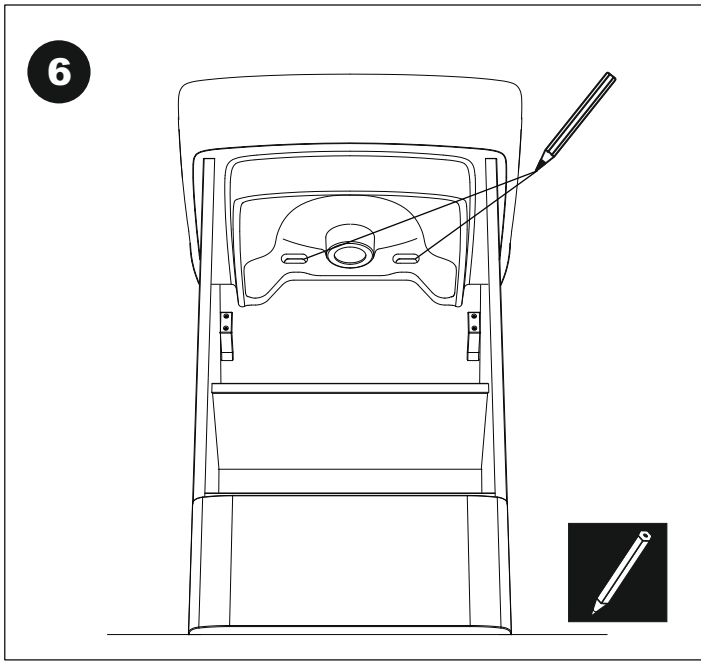
**PLINTH SET**

*INSTALLATION INSTRUCTION*



Check The product prior to installation, making sure all the components are present, and for any visible damage. We cannot accept responsibility for damage or visible faults discovered after installation.





# Cleaning and Care Instructions - Bathroom Furniture

- Bathroom furniture should be cleaned with a soft dry cloth. Avoid abrasive or sharp objects.
- For removing stubborn dirt, dampen a cloth with warm water and a mild household detergent. Dry surface thoroughly afterwards.
- Furniture should never be cleaned with cleaners containing acid or solvents. Abrasive cleaners should be avoided.
- Wipe up any standing water immediately after use.
- Any chemicals, such as nail varnish remover, hair dyes, bleach or anti-lime scale remover, spilled onto the furniture should be removed straight away.
- Any scratches of the furniture finish should be sealed to avoid water ingress.

## Furniture Colour

- Furniture colour may vary slightly from the colour sample
- Lacquered and veneered surfaces are subject to aging and their colour can change over time.
- Continuous exposure to direct sunlight ( UV radiation ) can speed up the aging process.

## Guarantee

- For information relating to the guarantee offered with this product please go to:-  
[www.twyfordbathrooms.com](http://www.twyfordbathrooms.com)

Twyford

---

**TWYFORD BATHROOMS** LAWTON ROAD, ALSAGER, STOKE ON TRENT ST7 2DF

TEL: +44 (0) 1270 879777

FAX: +44 (0) 1270 873864

WEB: [www.twyfordbathrooms.com](http://www.twyfordbathrooms.com)