

showers

tribune alcove pivot

A classic enclosure with a modern twist. High quality robust framed enclosures with elegant frameless pivot doors.

Easy to install fully reversible doors.

- Domestic and commercial use
- 6mm toughened safety glass
- Reversible outward opening doors in two sizes
- Adjustment for out-of-true walls see table below
- 10 year guarantee



Illustrated

L8120AA 1200mm Pivot door with infill panel, clear glass, Silver finish

Material

Architectural grade aluminium with 6mm safety glass

Weights

750/800mm 24.4kg
900mm 27.4kg
1200mm 34.9kg

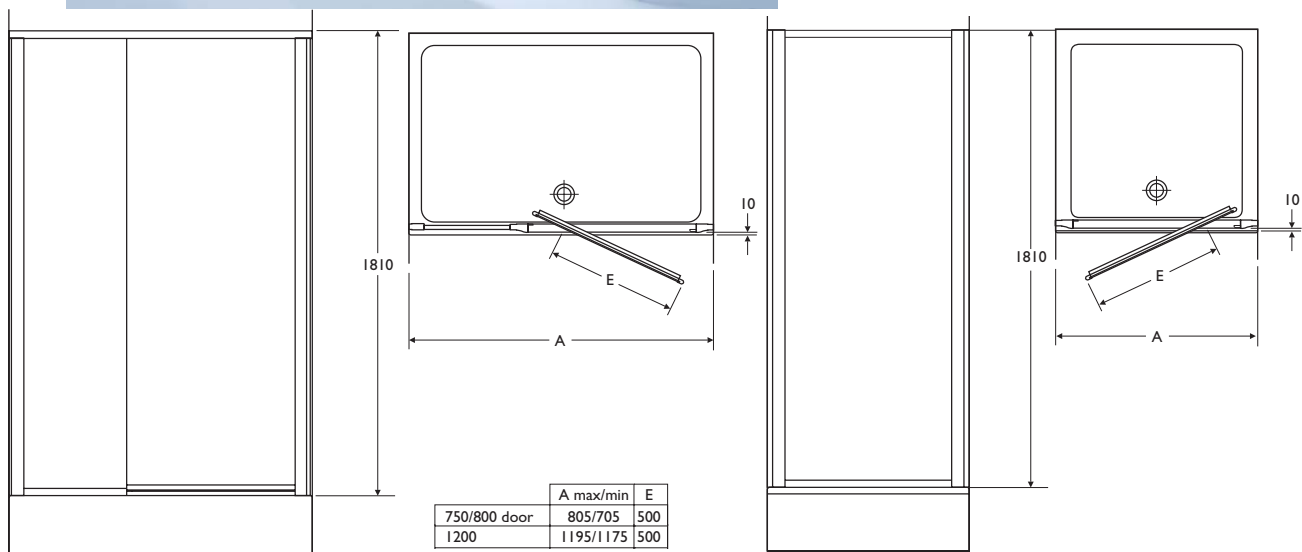
Standards

Tested to BS EN 14428:2004

Options

L8100AA 750/800mm door, clear glass, Silver finish

L8110AA 900mm door with infill panel, clear glass, Silver finish



enclosures
showers

