

showers

serenis 360° corner

A contemporary walk-in shower with integrated water delivery system. This sculpted enclosure combined with clever features is the epitome of luxury.

Water delivery system includes a chromium plated thermostatic valve, fixed overhead shower and handspray.

On or off and temperature controls from outside or inside the enclosure.

- 6mm safety glass with IdealClean coating
- Controls inside and outside enclosure
- 180mm fixed and 3 function handspray
- Guarantees; water delivery system 5 year, enclosure 10 year and tray for 25year
- Also graceful wetroom system available details on request



Illustrated

L8362AA Serenis 360° Corner enclosure with chromium plated water delivery system, thermostatic valve, 180mm diameter fixed overhead shower and with 3 function HP handspray

L523001 Serenis 360° Corner shower tray, LH, White

L8828AA Chromium plated top access waste and trap

Standards

Tested to BS EN 14428:2004

Materials

Enclosure 6mm safety glass with Silver finish profile. Shower tray acrylic. Water delivery system chromium plated brass

Weight

Shower tray 44.7kg
Enclosure 165.0kg

Special notes

The water delivery system incorporates both fixed overhead shower and handspray. Water can be directed to both shower heads simultaneously provided high pressure supplies are available.

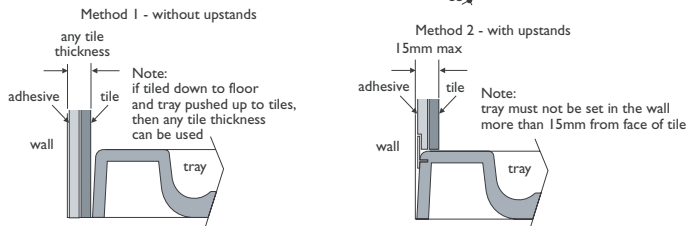
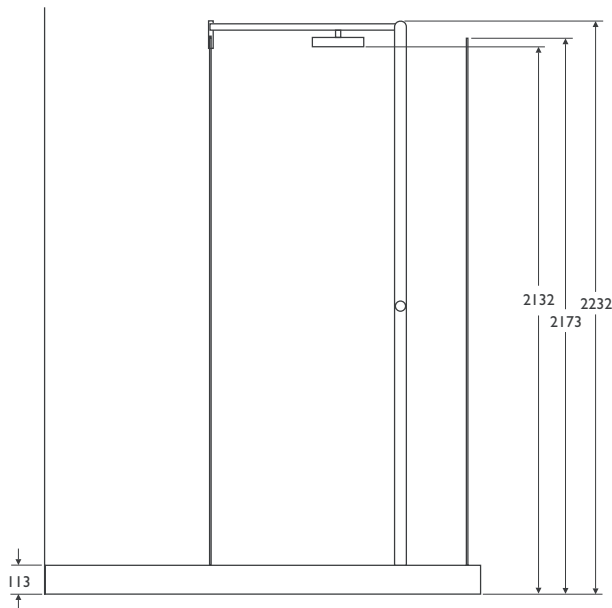
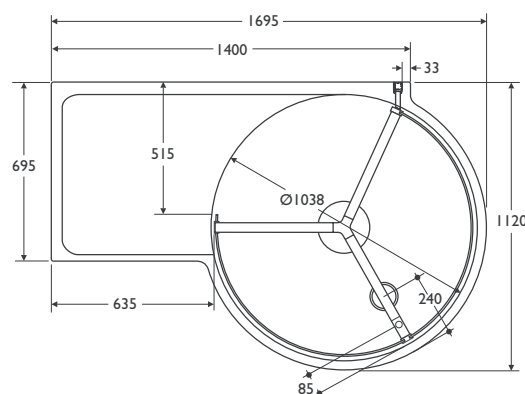
Wetroom kit also available for wetroom installations - please ask for details

Options

L523101 Serenis 360° Corner shower tray, RH, White



wetroom installations



enclosures
showers