

showers

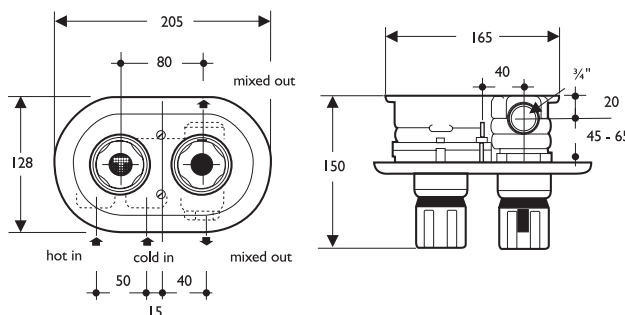
trevi boost

A performance shower without pump using the Venturi principle to harness the power of the cold mains water supply. Suitable for mains fed cold supply and tank fed hot supply.

- Domestic use
- Venturi principle
- Performance shower



E9005AA



Illustrated

E9005AA Trevi Boost built-in cold mains pressure shower mixer complete with flexible hose and slide bar shower kit, chromium plated

Material

Cast brass body

Weight

4.5kg

Options

E9015AA Trevi Boost built-in shower mixer complete with fixed overhead shower kit, chromium plated.

Standards

WRAS approved

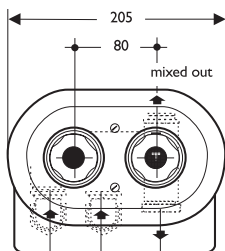
Special notes

The charts below indicate the required conditions for installing Trevi Boost.

Non thermostatic - suitable only for use in domestic situations

valves & fittings

showers



Illustrated

E9105AA Trevi Boost exposed cold mains pressure shower mixer complete with flexible hose and slide bar shower kit, chromium plated

Standards

WRAS approved

Special notes

The charts below indicate the required conditions for installing Trevi Boost.

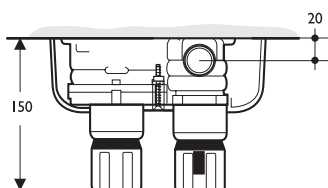
Non thermostatic - suitable only for use in domestic situations

Material

Cast brass body

Weight

4.5kg



Supply conditions must be within the area defined in Figures 1 or 2. If conditions are in the darker area only 40°C blend temperature should be expected.

