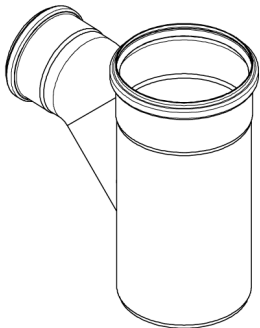
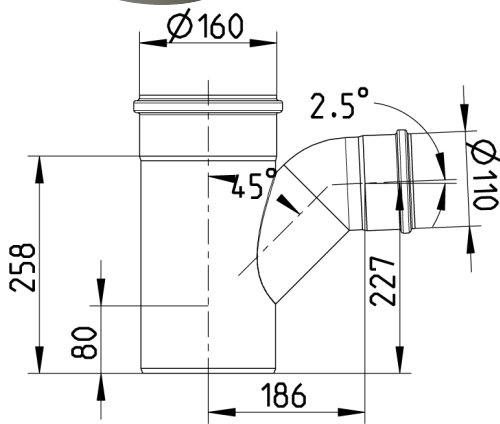




SWEPT BRANCH 87.5°, Ø160/110MM  
 - Pipe: Ø160mm, Branch: Ø110mm  
 - Stainless steel: AISI304/EN1.4301

### DATA

Type no.:	839.110.160	Type:	Branches
EAN no.:	5705499402636	Outlet dia. (mm):	160
VVS no.:	160222157	Angle (°):	87,5
RSK no.:	1550187	Weight (kg):	2,53
NRF no.:	2170132	Material:	AISI 304
LVI no.:	0245244	Material:	EN 1.4301



### Approvals

DK - VA 2.12/19349-13  
 DK - VA 2.12/19350-13  
 MARINE - ABS 04-LD472768/3  
 MARINE - Achilles Id. 25316  
 MARINE - Bureau Veritas, 02375-G0  
 MARINE - DNV P-14328  
 MARINE - Lloyds Register 92-00041 (E6)  
 MARINE - R4547 NATO CODIFICATION SYSTEM  
 MARINE - RINA MAC 336509CS, EuroPipe  
 MARINE - RU 09.10108.262  
 NO - 0692-12  
 PL - Hygenic Certificate - All products  
 RU - 0814877  
 SE - Sitac 4423/90  
 UK - BBA 86-1751  
 UR - 1055745