

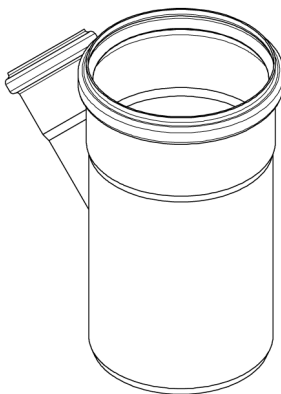
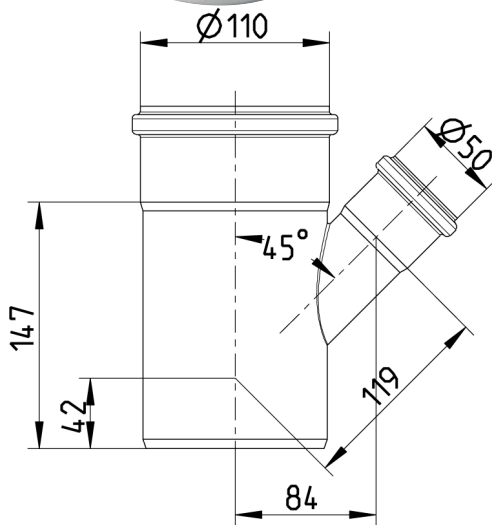
Data sheet

OBLIQUE BRANCH 45°, Ø110/50MM
 - Pipe: Ø110mm, Branch: Ø50mm
 - Stainless steel: AISI304/EN1.4301



DATA

| | | | |
|-----------|---------------|-------------------|-----------|
| Type no.: | 838.050.110 | Type: | Branches |
| EAN no.: | 5705499402391 | Outlet dia. (mm): | 110 |
| VVS no.: | 160224106 | Angle (°): | 45 |
| RSK no.: | 1550113 | Weight (kg): | 0,70 |
| NRF no.: | 2170093 | Material: | AISI 304 |
| LVI no.: | 0241158 | Material: | EN 1.4301 |



Approvals

AUS - WMKT00204
 DE - LGA Certificate 7313035 a
 DK - VA 2.12/19349-13
 MARINE - ABS 04-LD472768/3
 MARINE - Achilles Id. 25316
 MARINE - Bureau Veritas, 02375-G0
 MARINE - DNV P-14328
 MARINE - Lloyds Register 92-00041 (E6)
 MARINE - R4547 NATO CODIFICATION SYSTEM
 MARINE - RINA MAC 336509CS, EuroPipe
 MARINE - RU 09.10108.262
 NO - 0692-12
 PL - Hygenic Certificate - All products
 RU - 0814877
 SE - Sitac 4423/90
 UK - BBA 86-1751
 UR - 1055745
 US - IAPMO List 3247-14