

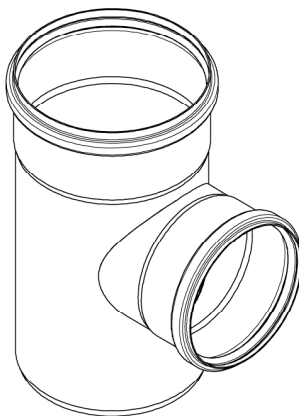
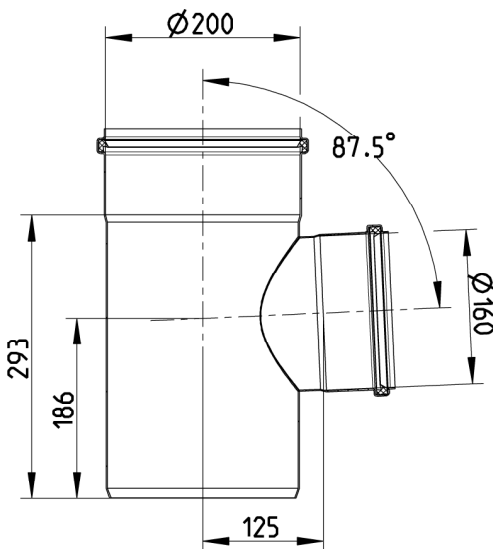
Data sheet



BRANCH 87.5°, Ø200/160MM
 - Pipe: Ø200mm, Branch: Ø160mm
 - Stainless steel: AISI316L/EN1.4404

DATA

Type no.:	830.160.200 S	Type:	Branches
EAN no.:	5705499411003	Outlet dia. (mm):	200
VVS no.:	160221498	Angle (°):	87,5
RSK no.:	1551549	Weight (kg):	3,45
NRF no.:	2170821	Material:	AISI 316L
LVI no.:	0251768	Material:	EN 1.4404



Approvals

DE - LGA Certificate 7313035 a
 DK - VA 2.12/19349-13
 DK - VA 2.12/19350-13
 MARINE - ABS 04-LD472768/3
 MARINE - Achilles Id. 25316
 MARINE - Bureau Veritas, 02375-G0
 MARINE - DNV P-14328
 MARINE - Lloyds Register 92-00041 (E6)
 MARINE - R4547 NATO CODIFICATION SYSTEM
 MARINE - RINA MAC 336509CS, EuroPipe
 MARINE - RU 09.10108.262
 NO - 0692-12
 PL - Hygenic Certificate - All products
 RU - 0814877
 SE - Sitac 4423/90
 UK - BBA 86-1751
 UR - 1055745