

Data sheet

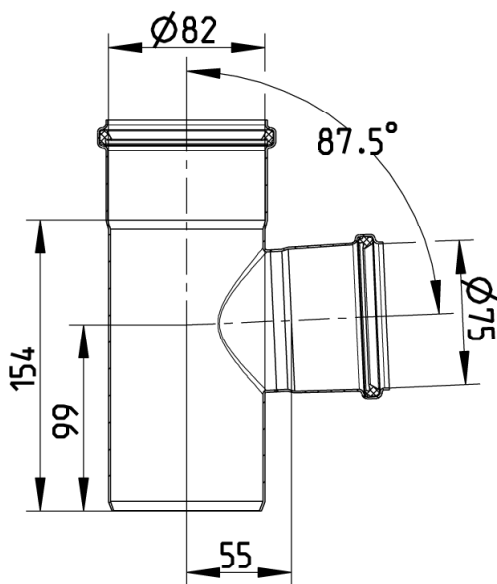


BRANCH 87.5°, Ø82/75MM
 - Pipe: Ø82mm, Branch: Ø75mm
 - Stainless steel: AISI304/EN1.4301

DATA

Type no.: 830.075.082
 EAN no.: 5705499411942
 VVS no.: 160221081
 RSK no.:
 NRF no.:
 LVI no.:

Type: Branches
 Outlet dia. (mm): 82
 Weight (kg): 0,57
 Material: AISI 304
 Material: EN 1.4301



Approvals

DE - LGA Certificate 7313035 a
 DK - VA 2.12/19349-13
 NO - 0692-12
 PL - Hygenic Certificate - All products
 RU - 0814877
 SE - Sitac 4423/90
 UR - 1055745

