

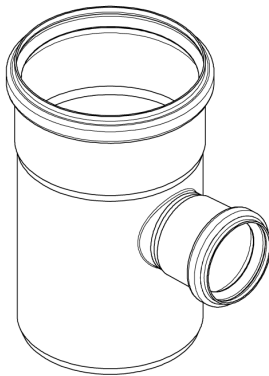
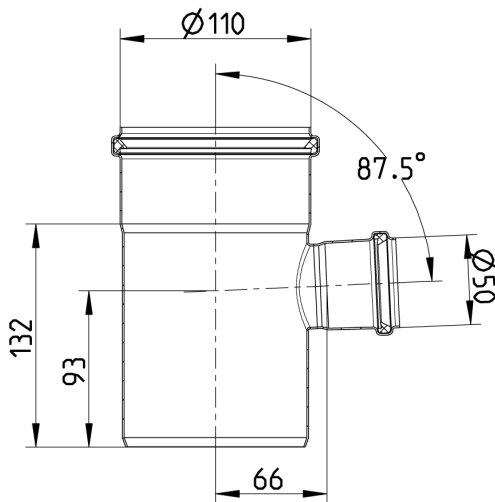
Data sheet



BRANCH 87.5°, Ø110/50MM
 - Pipe: Ø110mm, Branch: Ø50mm
 - Stainless steel: AISI304/EN1.4301

DATA

Type no.:	830.050.110	Type:	Branches
EAN no.:	5705499401646	Outlet dia. (mm):	110
VVS no.:	160221106	Angle (°):	87,5
RSK no.:	1550106	Weight (kg):	0,64
NRF no.:	2170119	Material:	AISI 304
LVI no.:	0241958	Material:	EN 1.4301



Approvals

AUS - WMKT00204
 DE - LGA Certificate 7313035 a
 DK - VA 2.12/19349-13
 MARINE - ABS 04-LD472768/3
 MARINE - Achilles Id. 25316
 MARINE - Bureau Veritas, 02375-G0
 MARINE - DNV P-14328
 MARINE - Lloyds Register 92-00041 (E6)
 MARINE - R4547 NATO CODIFICATION SYSTEM
 MARINE - RINA MAC 336509CS, EuroPipe
 MARINE - RU 09.10108.262
 NO - 0692-12
 PL - Hygenic Certificate - All products
 RU - 0814877
 SE - Sitac 4423/90
 UK - BBA 86-1751
 UR - 1055745