

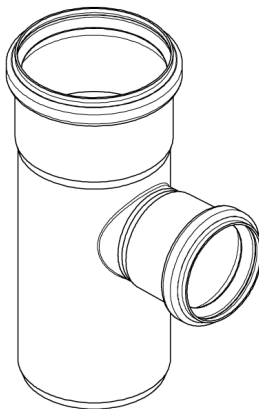
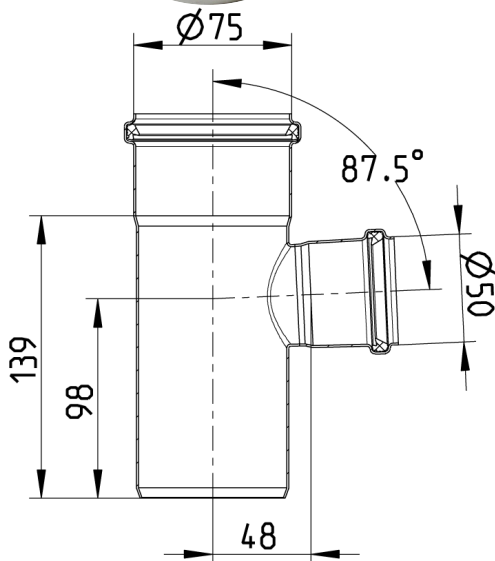
## Data sheet

BRANCH 87.5°, Ø75/50MM  
 - Pipe: Ø75mm, Branch: Ø50mm  
 - Stainless steel: AISI304/EN1.4301



### DATA

Type no.:	830.050.075	Type:	Branches
EAN no.:	5705499401622	Outlet dia. (mm):	75
VVS no.:	160221073	Angle (°):	87,5
RSK no.:	1550104	Weight (kg):	0,44
NRF no.:	2170113	Material:	AISI 304
LVI no.:	0241955	Material:	EN 1.4301



### Approvals

AUS - WMKT00204  
 DE - LGA Certificate 7313035 a  
 DK - VA 2.12/19349-13  
 MARINE - ABS 04-LD472768/3  
 MARINE - Achilles Id. 25316  
 MARINE - Bureau Veritas, 02375-G0  
 MARINE - DNV P-14328  
 MARINE - Lloyds Register 92-00041 (E6)  
 MARINE - R4547 NATO CODIFICATION SYSTEM  
 MARINE - RINA MAC 336509CS, EuroPipe  
 MARINE - RU 09.10108.262  
 NO - 0692-12  
 PL - Hygenic Certificate - All products  
 RU - 0814877  
 SE - Sitac 4423/90  
 UK - BBA 86-1751  
 UR - 1055745