

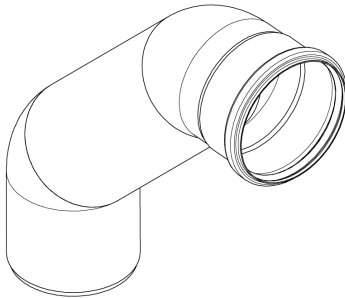
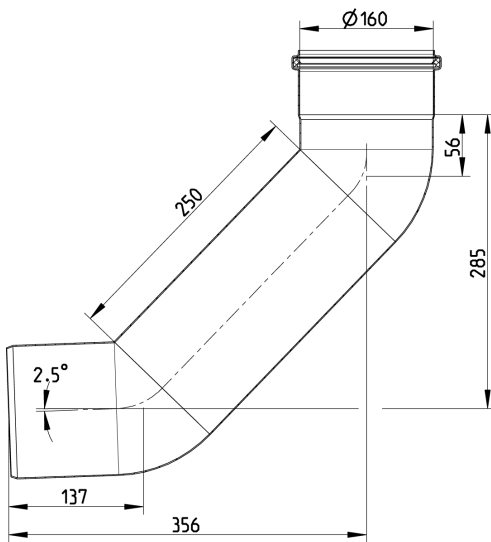
## Data sheet

BEND, LONG 87.5°, 250 MM, Ø160  
 - Stainless steel: AISI304/EN1.4301



### DATA

Type no.:	821.090.160	Type:	Bends
EAN no.:	5705499401486	Outlet dia. (mm):	160
VVS no.:	160211160	Angle (°):	87,5
RSK no.:	1550084	Weight (kg):	3,25
NRF no.:		Material:	AISI 304
LVI no.:	0240855	Material:	EN 1.4301



### Approvals

- AUS - WMKT00204
- DE - LGA Certificate 7313035 a
- DK - VA 2.12/19349-13
- DK - VA 2.12/19350-13
- MARINE - ABS 04-LD472768/3
- MARINE - DNV P-14328
- MARINE - Lloyds Register 92-00041 (E6)
- MARINE - R4547 NATO CODIFICATION SYSTEM
- MARINE - RU 09.10108.262
- NO - 0692-12
- PL - Hygenic Certificate - All products
- RU - 0814877
- SE - Sitac 4423/90
- UK - BBA 86-1751
- US - IAPMO List 3247-14