

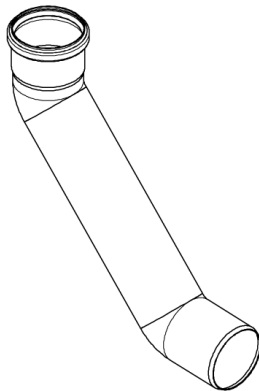
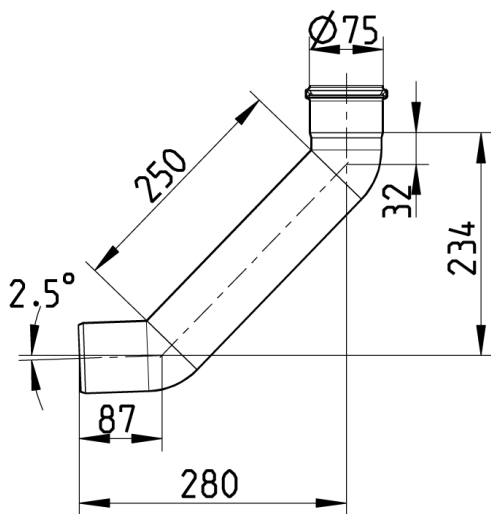
## Data sheet



BEND, LONG 87.5°, 250 MM, Ø75  
 - Stainless steel: AISI304/EN1.4301

### DATA

Type no.:	821.090.075	Type:	Bends
EAN no.:	5705499408775	Outlet dia. (mm):	75
VVS no.:		Angle (°):	87,5
RSK no.:	1550081	Weight (kg):	0,90
NRF no.:		Material:	AISI 304
LVI no.:	0240853	Material:	EN 1.4301



### Approvals

- DK - VA 2.12/19349-13
- MARINE - ABS 04-LD472768/3
- MARINE - DNV P-14328
- MARINE - Lloyds Register 92-00041 (E6)
- MARINE - R4547 NATO CODIFICATION SYSTEM
- MARINE - RU 09.10108.262
- NO - 0692-12
- PL - Hygenic Certificate - All products
- RU - 0814877
- SE - Sitac 4423/90