

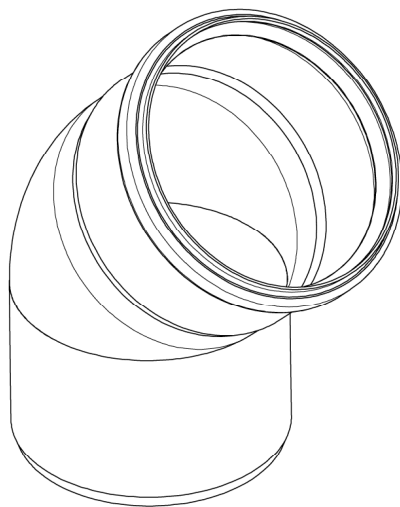
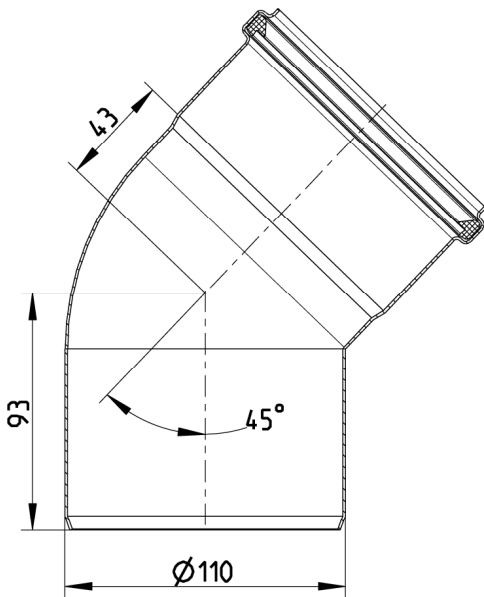
Data sheet

BEND 45°, Ø110MM
 - Stainless steel: AISI304/EN1.4301



DATA

Type no.:	820.045.110	Type:	Bends
EAN no.:	5705499401349	Outlet dia. (mm):	110
VVS no.:	160205110	Angle (°):	45
RSK no.:	1550091	Weight (kg):	0,56
NRF no.:	2170056	Material:	AISI 304
LVI no.:	0240684	Material:	EN 1.4301



Approvals

- AUS - WMKT00204
- DE - LGA Certificate 7313035 a
- DK - VA 2.12/19349-13
- DK - VA 2.12/19350-13
- MARINE - ABS 04-LD472768/3
- MARINE - Achilles Id. 25316
- MARINE - Bureau Veritas, 02375-G0
- MARINE - DNV P-14328
- MARINE - Lloyds Register 92-00041 (E6)
- MARINE - R4547 NATO CODIFICATION SYSTEM
- MARINE - RINA MAC 336509CS, EuroPipe
- MARINE - RU 09.10108.262
- NO - 0692-12
- PL - Hygenic Certificate - All products
- RU - 0814877
- SE - Sitac 4423/90
- UK - BBA 86-1751
- UR - 1055745
- US - IAPMO List 3247-14