

Wall mounted toilet brush holder (Can be installed with screws or adhesive)

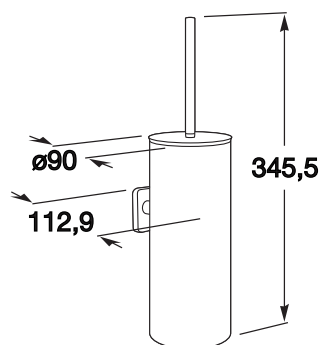


Finish: Polished
 Installation type: Wall-mounted
 Material: Metal

Dimensions

Length: 90 mm.
 Width: 113 mm.
 Height: 346 mm.

Technical drawings



An extensive accessories range with a functional and timeless design. Besides the installation with screws, Victoria allows an adhesive fixation system that prevents drilling and guarantees high resistance (up to 5 kg. of static load). The perfect suit for private bathrooms, semi-public areas and public spaces, including solutions for people with reduced mobility.