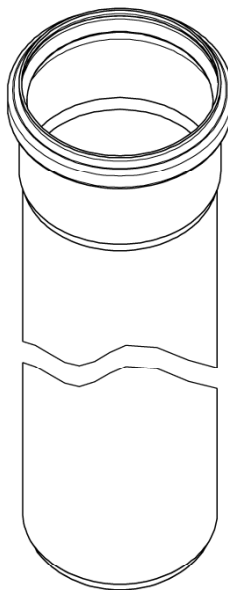
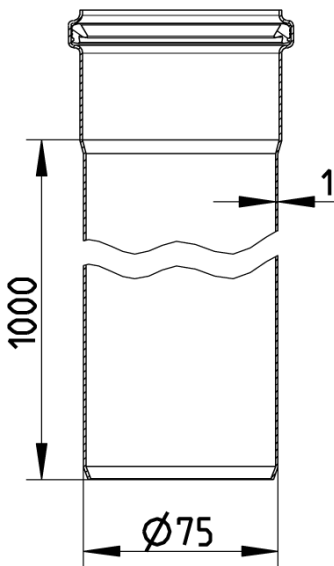


PIPE, L: 1000MM, Ø75MM  
 - Stainless steel: AISI304/EN1.4301



### DATA

Type no.:	811.100.075	Outlet dia. (mm):	75
EAN no.:	5705499400540	Length (mm):	1000
VVS no.:	160124100	Weight (kg):	1,95
RSK no.:	1550042	Material:	AISI 304
NRF no.:	2170016	Material:	EN 1.4301
LVI no.:	0240135		



### Approvals

- AUS - WMKT00204
- DE - LGA Certificate 7313035 a
- DK - VA 2.12/19349-13
- MARINE - ABS 04-LD472768/3
- MARINE - Achilles Id. 25316
- MARINE - Bureau Veritas, 02375-G0
- MARINE - DNV P-14328
- MARINE - GL Type approval 69 194-93 HH
- MARINE - Lloyds Register 92-00041 (E6)
- MARINE - R4547 NATO CODIFICATION SYSTEM
- MARINE - RINA MAC 336509CS, EuroPipe
- MARINE - RU 09.10108.262
- NO - 0692-12
- PL - Hygenic Certificate - All products
- RU - 0814877
- SE - Sitac 4423/90
- UK - BBA 86-1751
- UR - 1055745
- US - IAPMO List 3247-14