

wasteflo

WC3 - Macerator

The Wasteflo WC3 macerator is ideal when transforming any area into a complete bathroom or en-suite. Its attractive and slim design is fully compatible with standard and slimline sanitaryware.

The slimline design of the Wasteflo macerator enables it to fit behind a WC whilst allowing the cistern to be fixed directly to the wall without the use of battens.

An innovative watertight cassette unit enables easy removal, cleaning and maintenance of the working parts without having to remove the WC, cistern or pipework.

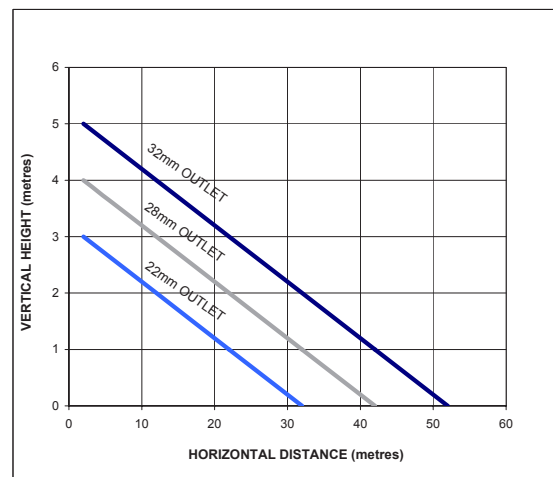


Features

- WC coupling features innovative inbuilt height adjustment (± 16 mm) to accommodate variations in WC outlet position.
- Two side inlets suitable for 32 mm (1¼ ") waste pipe to connect to a basin or shower (40 mm (1½ ") inlet adaptor included).
- Outlet - suitable for 32 mm, 28 mm or 22 mm waste pipe.
- Pumps up to 5 m vertically or 52 m horizontally.
- Maximum flow rate of 90 l/min.
- Complies with BS EN 12050.
- Typical 50 dB noise level.
- Supplied pre-wired with 1.5 m power cable.

Application

- Macerators are a simple way to pump waste water from a sanitary appliance where there is no local access to a soil pipe.

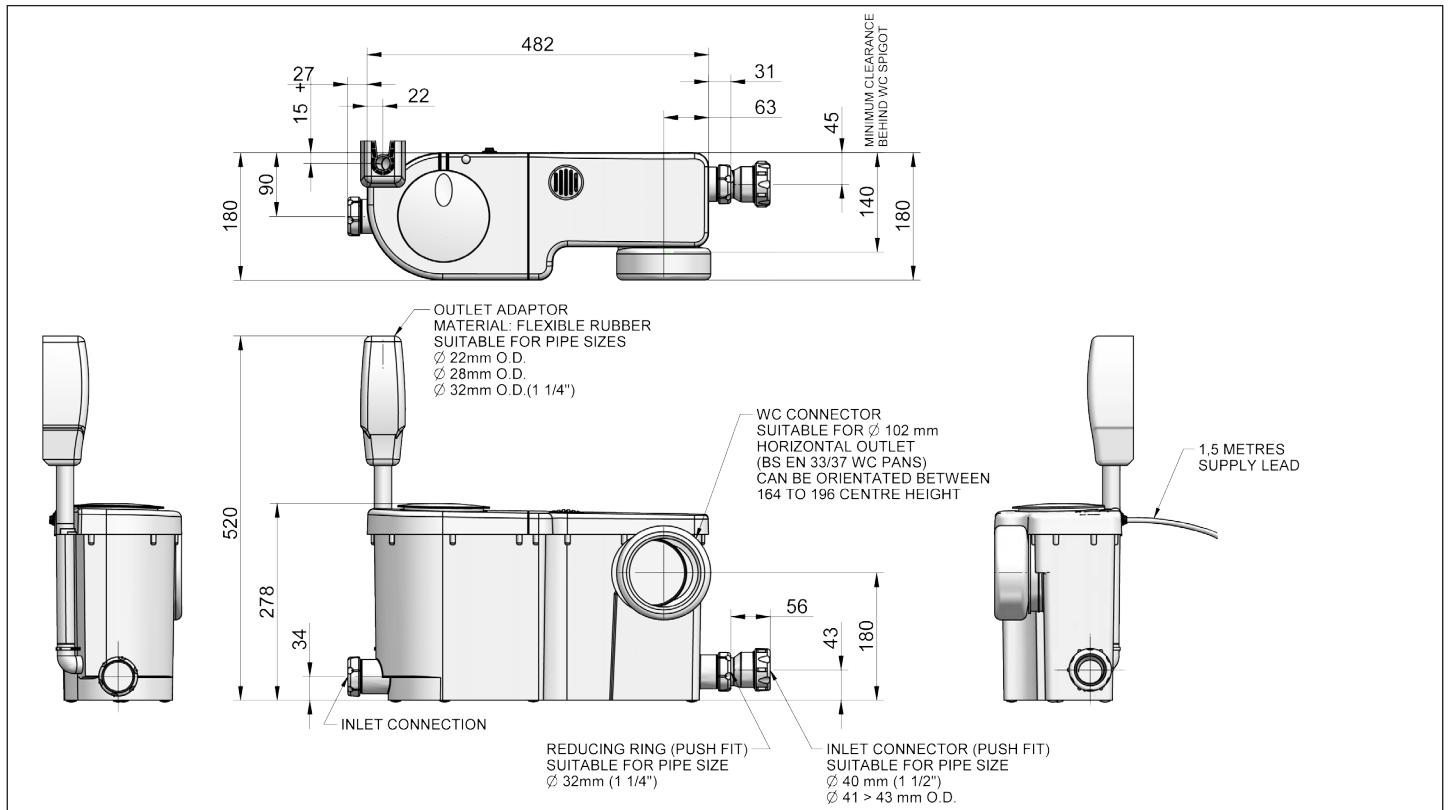


For further advice on selecting the correct pump call or e-mail info@stpumps.co.uk

pumpassist
HELPLINE +44 (0) 844 98 000 97

wasteflo

| Pump Model | | WC3 46576 |
|-------------|----------------------------------|--|
| General | Guarantee | 2 years |
| Features | Adjustable WC coupling | ✓ |
| | Slimline design | ✓ |
| | Easy access cassette unit | ✓ |
| | Noise level | 50 dB (typical) |
| Performance | Maximum head | 5.4 metres |
| | Pumping distance (vertical) | Up to 5 metres |
| | Pumping distance (horizontal) | Up to 52 metres |
| | Maximum flow | 90 l/min |
| | Maximum ambient air temperature | 40 °C |
| | Min / Max water temperature | Min 4 °C / Max 50 °C |
| Connections | WC | 102 mm dia. |
| | Inlet(s) | 40 mm (1½") dia. |
| | Outlet | 32 mm, 28 mm, 22 mm waste pipe adaptor |
| Motor | Duty rating | Continuous |
| Electrical | Power supply / phase / frequency | 230 V a.c. / 1 / 50 Hz |
| | Current (full load) | 2.2 Amps |
| | Power consumption | 500 Watts |
| | Fuse rating | 5 Amps |
| | Power cable (pre-wired) | 1.5 metres |
| Physical | Enclosure protection | IPX4 |
| | Length | 482 mm |
| | Width | 180 mm |
| | Width behind pan | 140 mm |
| | Height (excluding hoses) | 278 mm |
| | Weight (including fittings) | 8.2 Kg |



Stuart Turner Limited reserves the right to amend specifications without notice.

Stuart Turner Ltd, Henley-on-Thames, Oxfordshire RG9 2AD

Tel: +44 (0)1491 572655 Fax: +44 (0)1491 573704

www.stuart-turner.co.uk

Pt. No. 19620 Issue 4514/2-03

pumpassist
HELPLINE +44 (0) 844 98 000 97

uk - info@mytub.co.uk

