

# wasteflo

## WC2 - Macerator

The Wasteflo WC2 macerator is ideal when creating a simple cloakroom with a toilet and wash basin. Its attractive and slim design is fully compatible with standard and slimline sanitaryware.

The slimline design of the Wasteflo macerator enables it to fit behind a WC whilst allowing the cistern to be fixed directly to the wall without the use of battens.

An innovative watertight cassette unit enables easy removal, cleaning and maintenance of the working parts without having to remove the WC, cistern or pipework.

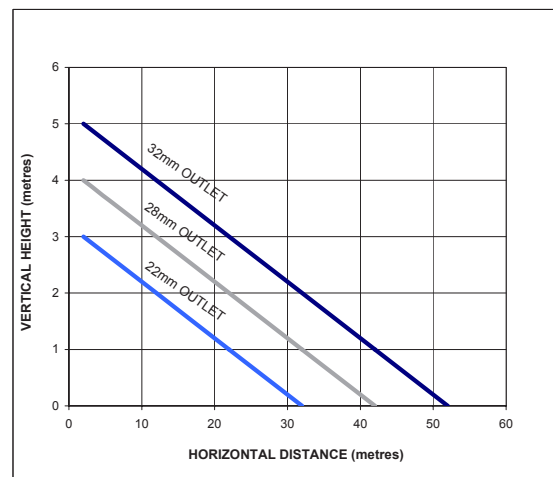


### Features

- WC coupling features innovative inbuilt height adjustment ( $\pm 16$  mm) to accommodate variations in WC outlet position.
- One side inlet suitable for 32 mm (1¼ ") waste pipe to connect to a basin (40 mm (1½ ") inlet adaptor included).
- Outlet - suitable for 32 mm, 28 mm or 22 mm waste pipe.
- Pumps up to 5 m vertically or 52 m horizontally.
- Maximum flow rate of 90 l/min.
- Complies with BS EN 12050.
- Typical 50 dB noise level.
- Supplied pre-wired with 1.5 m power cable.

### Application

- Macerators are a simple way to pump waste water from a sanitary appliance where there is no local access to a soil pipe.

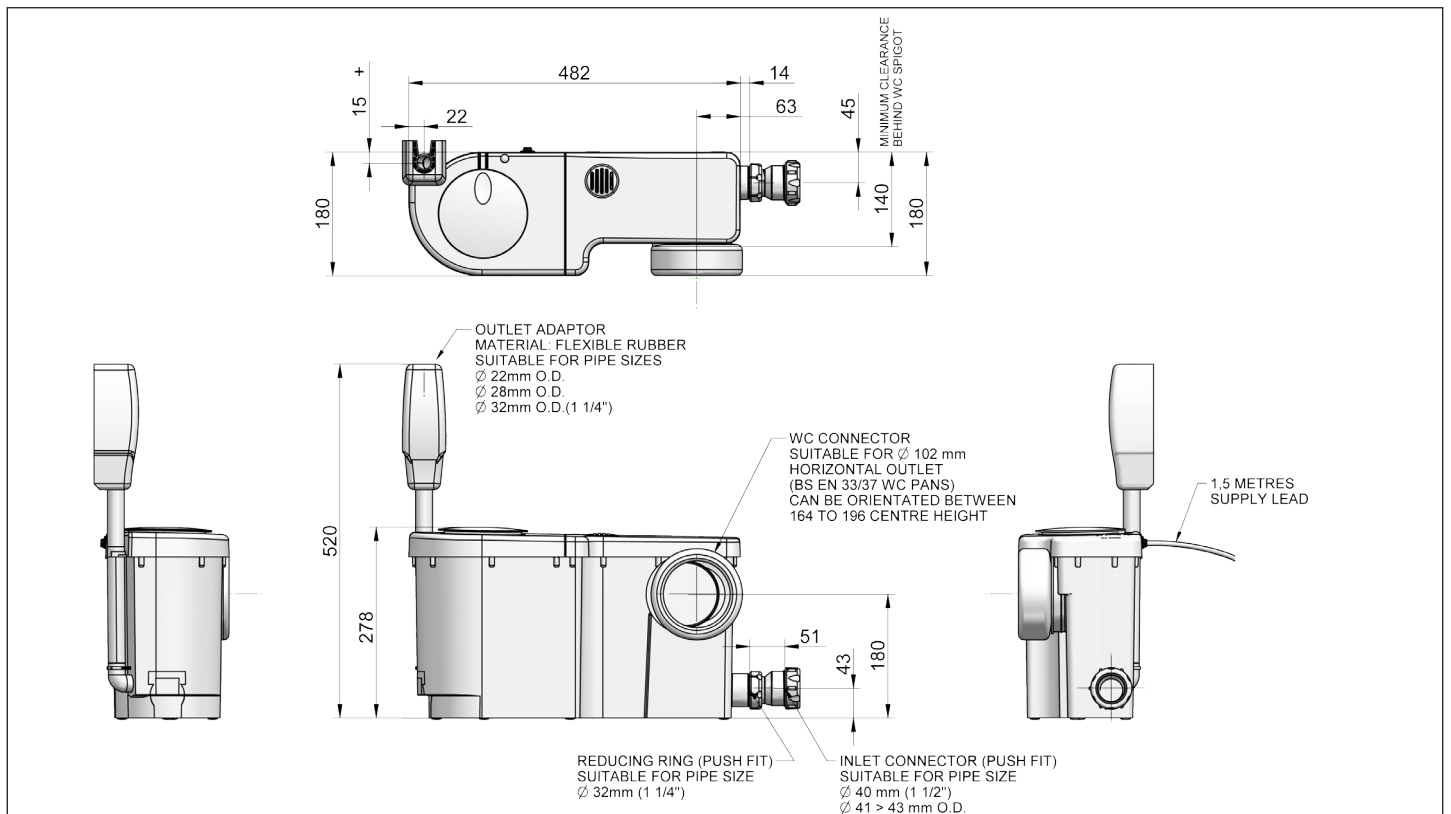


For further advice on selecting the correct pump call  
or e-mail [info@stpumps.co.uk](mailto:info@stpumps.co.uk)

**pumpassist**  
HELPLINE +44 (0) 844 98 000 97

# wasteflo

Pump Model		WC2 46575
General	Guarantee	2 years
Features	Adjustable WC coupling	✓
	Slimline design	✓
	Easy access cassette unit	✓
	Noise level	50 dB (typical)
Performance	Maximum head	5.4 metres
	Pumping distance (vertical)	Up to 5 metres
	Pumping distance (horizontal)	Up to 52 metres
	Maximum flow	90 l/min
	Maximum ambient air temperature	40 °C
Connections	Min / Max water temperature	Min 4 °C / Max 50 °C
	WC	102 mm dia.
	Inlet(s)	32 mm (1 1/4 ") dia.
Motor	Outlet	32 mm, 28 mm, 22 mm waste pipe adaptor
	Duty rating	Continuous
Electrical	Power supply / phase / frequency	230 V a.c. / 1 / 50 Hz
	Current (full load)	2.2 Amps
	Power consumption	500 Watts
	Fuse rating	5 Amps
	Power cable (pre-wired)	1.5 metres
Physical	Enclosure protection	IPX4
	Length	482 mm
	Width	180 mm
	Width behind pan	140 mm
	Height (excluding hoses)	278 mm
	Weight (including fittings)	8.0 Kg



Stuart Turner Limited reserves the right to amend specifications without notice.

Stuart Turner Ltd, Henley-on-Thames, Oxfordshire RG9 2AD

Tel: +44 (0)1491 572655 Fax: +44 (0)1491 573704

www.stuart-turner.co.uk

Pt. No. 19618 Issue 4514/2-03

**pumpassist**  
HELPLINE +44 (0) 844 98 000 97

uk - info@mytub.co.uk

