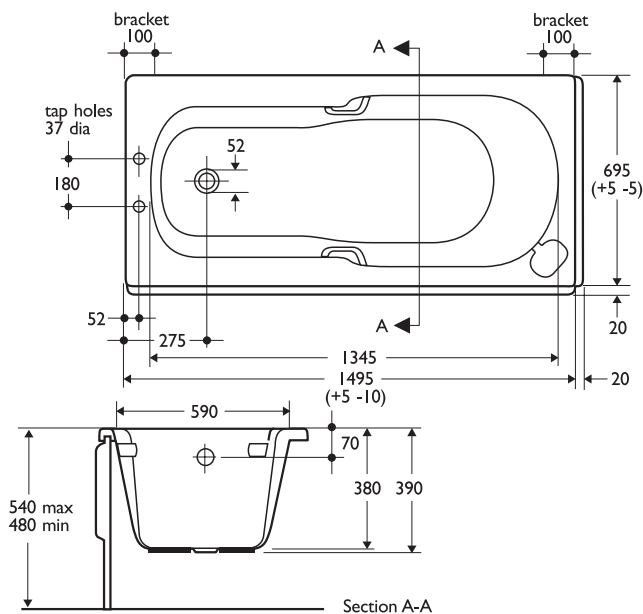


baths  
**studio 150**

Space efficient Idealform™ bath with twin handgrips.

Studio 150, measuring 150cm x 70cm is one of 5 baths that are part of the extensive Studio suite.

- Domestic and hotel use
- Space saving design
- With or without tapholes
- Twin handgrips
- Part of matching suite



**Illustrated**

E4152 Studio 150 bath with colour matched handgrips, 2 tapholes  
E6910 Waterways twin flow bath filler  
E5950 Studio porcelain handles  
E579567 bath pop-up and overflow  
E5800AA operating handle with waste cover  
E4180 Uniline 150cm front panel  
E4140 Uniline 70cm end panel

**Material**

Idealform™ cast acrylic sheet fully reinforced

**Capacity**

36 gallons/162 litres

**Weight**

Studio 150 18.1kg  
Front panel 3.3kg  
End panel 1.8kg

**Colours**

Available in White (01) only

**Standards**

Constructed to BS 4305 (EN 198)

**Designer**

Robin Levien, London

**Options**

E4164 without tapholes  
Uniline panels

**Special notes**

Supported on steel cradle with adjustable feet. Brackets provided for securing to wall

compact  
baths

