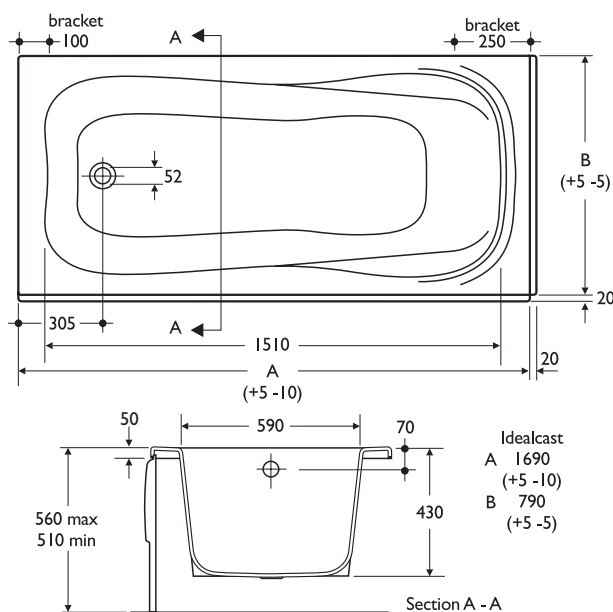


baths

# caspian 80

A luxurious and spacious 170 x 80cm bath. This is available manufactured in solid Idealcast™.

- Domestic and hotel use
- Luxury bath
- 170cm x 80cm
- Monoblock or wall mounted mixers



### Illustrated

**E4890 Caspian**  
Idealcast™ 80 bath no handgrips, no tapholes  
**E4130 Uniline rigid**  
170cm front panel  
**E4090 Uniline 80cm end panel**  
**A1359 Tratto monoblock bath filler**  
**E579567 1 1/2in combined pop-up waste and overflow**  
**E5800AA operating handle and plug cover**

**Material**  
Idealcast™

**Capacity**  
46 gallons/209 litres (to overflow)

### Weight

Idealcast™ 54.3kg  
Front panel 3.4kg  
End panel 3.1kg

### Colours

Available in White (01) only

### Standards

Constructed to BS 4305 (EN 198)

### Designer

Wolfgang Müller Deisig, Berlin

### Special notes

Supported on steel cradle with adjustable feet. Brackets provided for wall support

rectangular

baths

