

baths

camargue

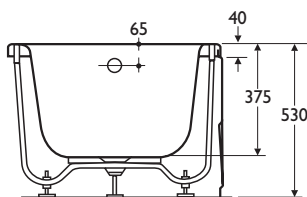
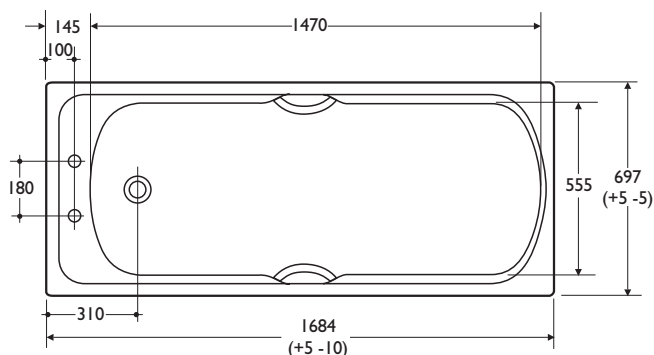
Elegant and timeless appeal. A design classic with subtle moulded detailing, it blends effortlessly into a modern or traditional setting.

- Domestic and hotel use
- Part of an extensive suite



rectangular

baths



Illustrated

S1678 Camargue 70cm bath with 2 tapholes and colour matched handgrips
S7658AA Sandringham deck bath filler, chromium plated
S8790 combined pop-up waste and overflow
S0900 Uniwave 170cm front panel
S0906 Universal 2 70cm end panel

Material

Idealform™ cast acrylic sheet fully reinforced

Capacity

43 gallons/195 litres (to overflow)

Weight

Bath 20.0kg
 Front panel 3.0kg
 End panel 2.7kg

Colours

Available in White (01) only.

Standards

Constructed to BS 4305 (EN 198)

Special notes

Supported on steel cradle with adjustable feet. Brackets provided for wall support

