

baths
studio 70•75

Idealform™ bath with twin handgrips and optional tapholes.

Studio 170cm x 70cm or 75cm baths that are part of the extensive Studio suite.

- Domestic and hotel use
- Part of extensive suite
- Twin handgrips
- With or without tapholes
- Available in two width 70cm & 75cm extra



Weight

75cm bath 23.0kg
70cm bath 23.0kg
Front panel 3.6kg
End panel 1.8kg

Colours

Available in White (01) only

Standards

Constructed to BS 4305 (EN 198)

Designer

Robin Levien, London

Options

E4114 Studio 70cm bath without tapholes
E4052 Studio Extra 170cm x 75cm bath with colour matched handgrips 2 tapholes
E4044 Studio Extra 75cm bath without tapholes
E4190 75cm uniline end panel

Illustrated

E4102 Studio 170cm x 70cm bath with colour matched handgrips, 2 tapholes
E6910 Waterways twinflow bath filler
E6030 Crystal acrylic handles
E579567 combined pop-up waste & overflow
E5800AA operating handle and waste cover
E4130 170cm uniline front panel
E4140 70cm uniline end panel

Material

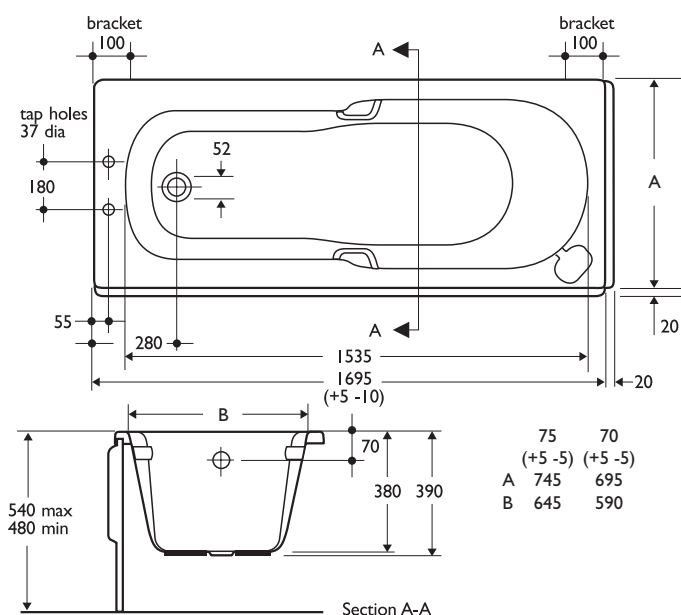
Idealform™ cast acrylic sheet fully reinforced

Capacity

75cm 45 gallons/203 litres
70cm 41 gallons/185 litres

Special notes

Supported on steel cradle with adjustable feet. Brackets provided for securing to wall



rectangular

baths

