

baths

# jasper morrison 170

170cm x 75cm Idealform™ bath.  
Unhanded front and end panels  
available to match.

- Domestic and hotel use
- Part of matching suite
- Taphole drilling template provided



**Illustrated**

- E635401** Jasper Morrison Idealform™ 170cm x 75cm bath, no taphole
- E635501** Front panel
- E635601** End panel
- E6415AA** Jasper Morrison single lever rim mounted one hole bath filler
- K7810AA** Combined pop up waste, overflow and handle covers

**Material**

Idealform™ cast acrylic sheet, fully reinforced

**Capacity**

50 gallons/221 litres (to overflow)

**Weight**

Bath 22.5kg  
Front panel 3.4kg  
End panel 2.2kg

**Colours**

Available in White (01) only

**Standards**

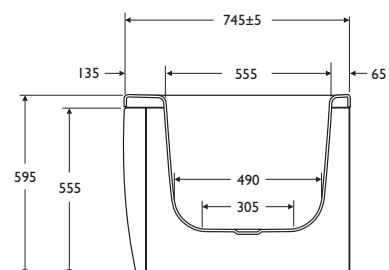
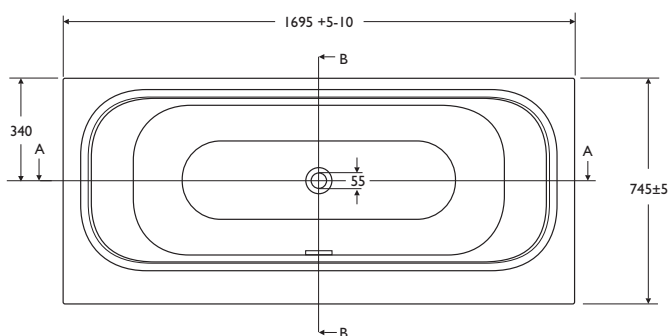
Constructed to BS 4305 (EN 198)

**Designer**

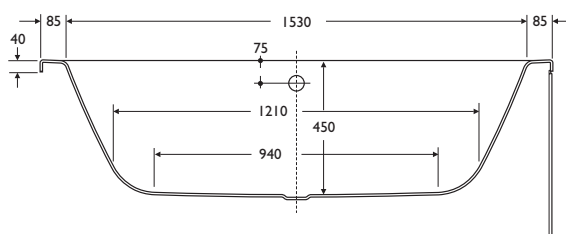
Jasper Morrison

**Special notes**

Supported on steel cradle with adjustable feet. Brackets provided for wall support. Bath is supplied without tapholes, a drilling template is provided



Section B - B



Section A - A

baths rectangular

